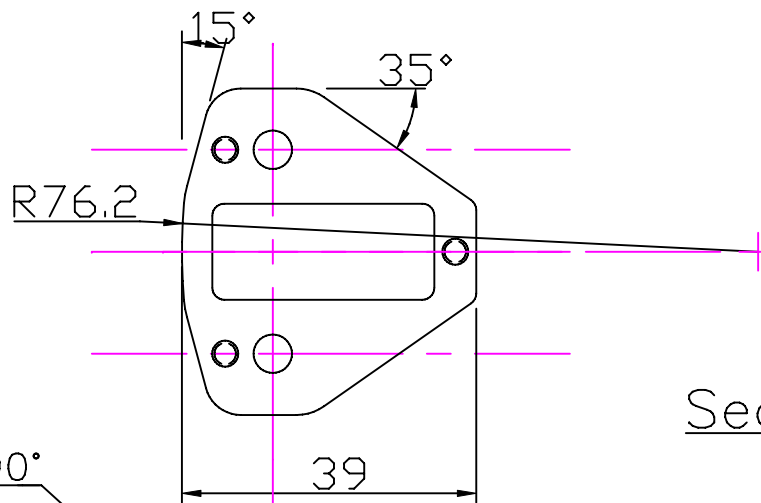
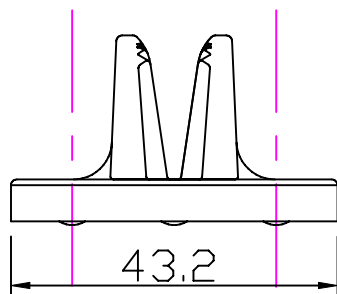
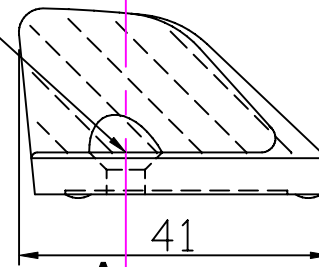
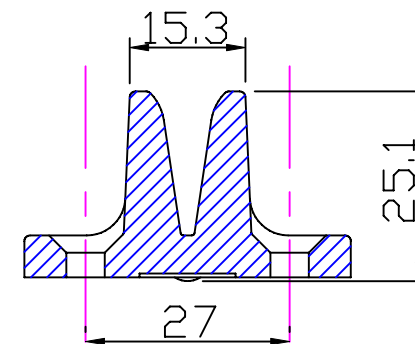


M5 4.5/4.8mm  $\phi$  4-8mm  
 #10 (3/16") No.10 3/16" - 5/16"

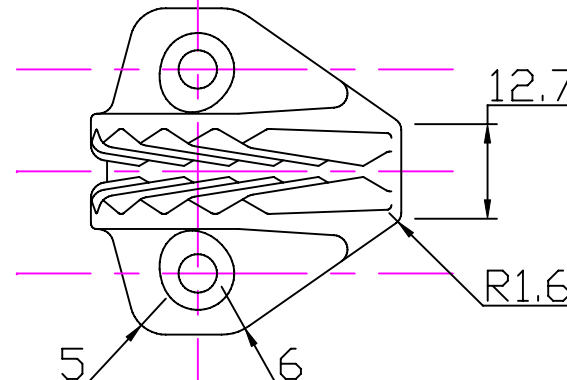
2 Holes  $\phi 5.0$   
 countersunk  $\phi 9.5 \times 90^\circ$



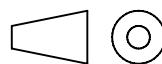
Section 'AA'



A



A



Scale 1:1

All dimensions in mm.



Clamcleats Limited  
 Watchmead  
 Welwyn Garden City  
 Hertfordshire AL7 1AP  
 England

Telephone +44 (0)1707 330101  
 Fax +44 (0)1707 321269  
<http://www.clamcleat-rope-cleats.com>

Issue: 2. May 2006  
 ID215.dwg

Material:  
 Nylon

Installation Drawing for:-

**CL215**

Side Fixing Midi