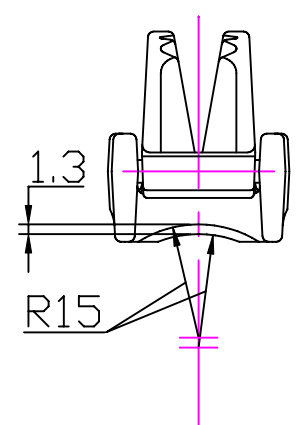
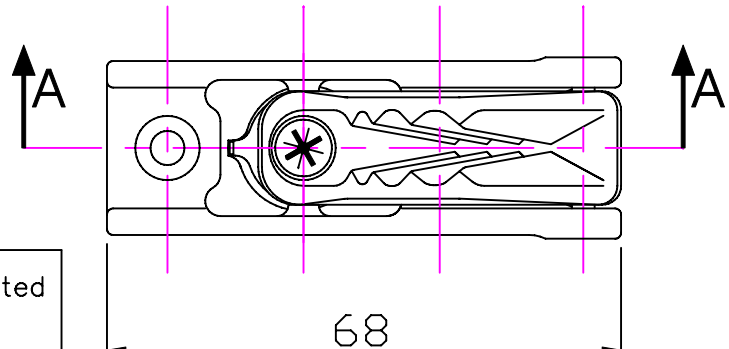
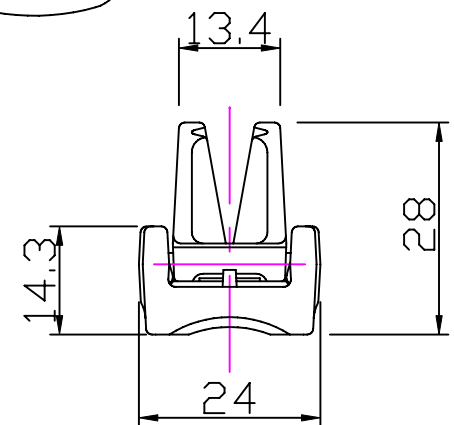
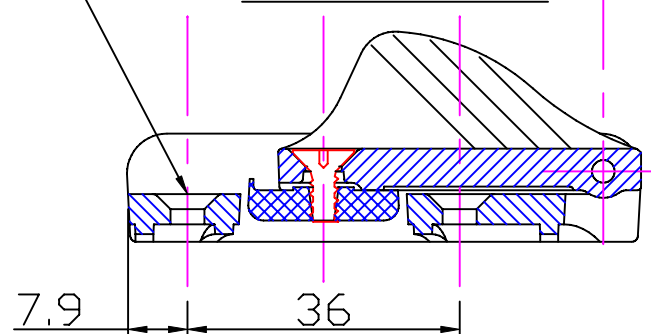


2 Holes  $\phi 4.5$   
countersunk  $\phi 8.5 \times 90^\circ$



Section 'AA'



**Clamcleat®**  
Rope cleats

Clamcleats Limited  
Watchmead  
Welwyn Garden City  
Hertfordshire AL7 1AP  
England

Telephone +44 (0)1707 330101  
Fax +44 (0)1707 321269  
<http://www.clamcleat-rope-cleats.com>

Scale 1:1  
All dimensions in mm.

Issue: 2. May 2006  
ID257.dwg

Material:  
Cleat - Diecast Aluminium  
Base - Acetal

Installation Drawing for:-  
**CL257**  
Auto - Release  
Racing Mini