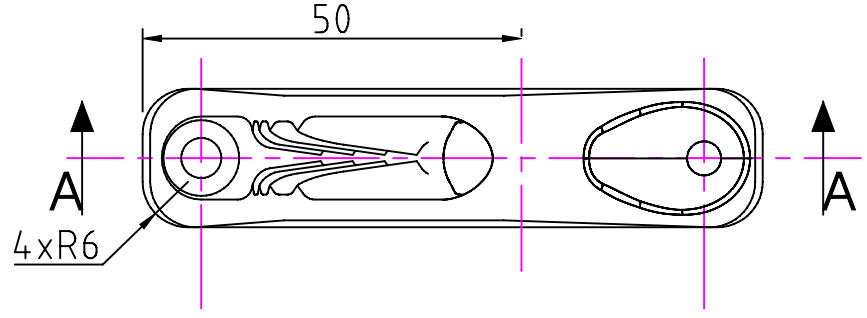
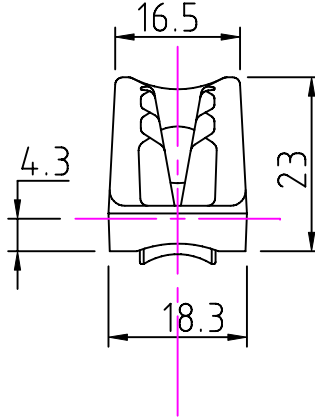
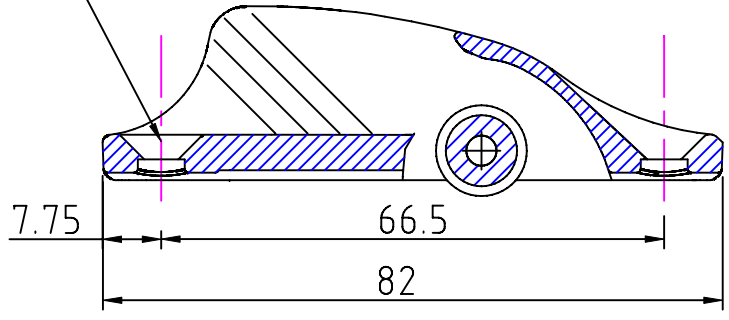
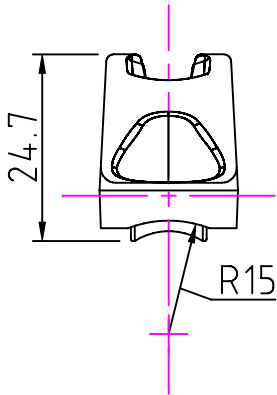


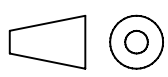
Notes: -
For marine applications, use a silicone sealant or a bedding compound to avoid electrolytic action between the cleat and metal fastenings.

Section 'AA'

2 Holes Ø5.3
countersunk Ø10.0x90°



Clamcleats Limited
Watchmead
Welwyn Garden City
Hertfordshire AL7 1AP
England
Telephone +44 (0)1707 330101
Fax +44 (0)1707 321269
<http://www.clamcleat-rope-cleats.com>



Scale 1:1
All dimensions in mm.

Issue: 2. Nov 2006
ID230.dwg

Material:
Cleat - Diecast Aluminium
Roller - Reinforced Nylon

Installation Drawing for:-
CL230
Racing Junior Mk.1
with Roller