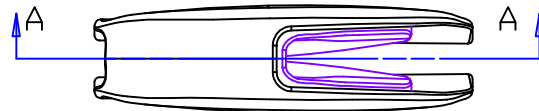
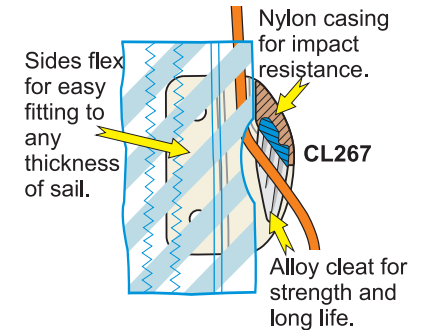
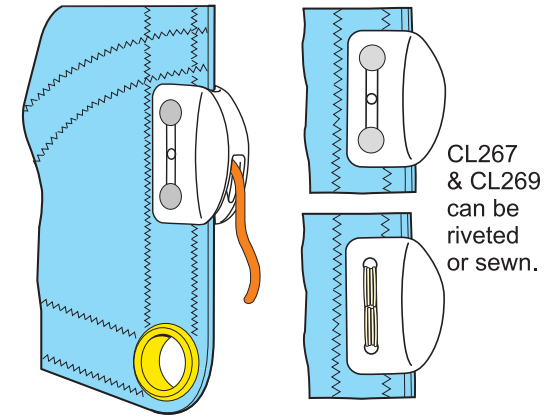
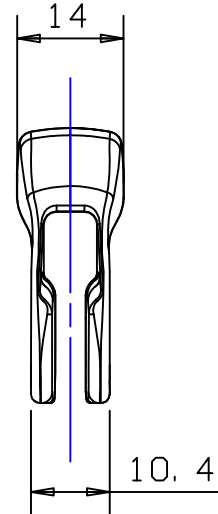
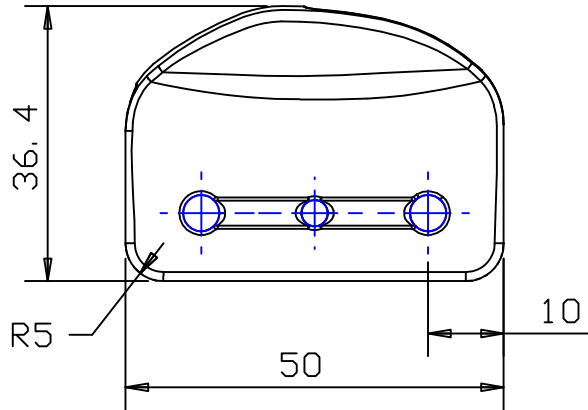
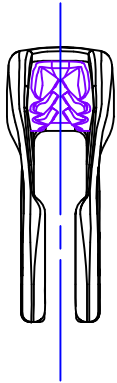
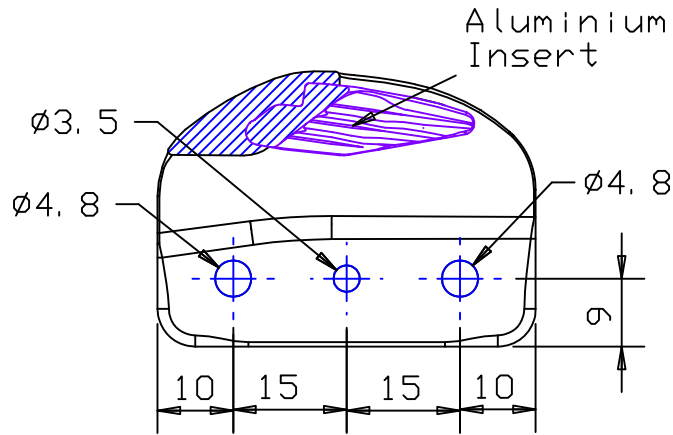


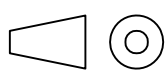


$\phi 1 - 4\text{mm}$
 $3/64" - 5/32"$

Section A-A



Clamcleats Limited
 Watchmead
 Welwyn Garden City
 Hertfordshire AL7 1AP
 England
 Telephone +44 (0)1707 330101
 Fax +44 (0)1707 321269
 Email sales@clamcleat.com
 www.clamcleat.com



Scale 1:1
 All dimensions in mm.

Issue: 1 Dec 2008
 ID267.dwg

Material:
 Aluminium/Nylon

Installation Drawing for:-

CL267

Racing Sail Edge