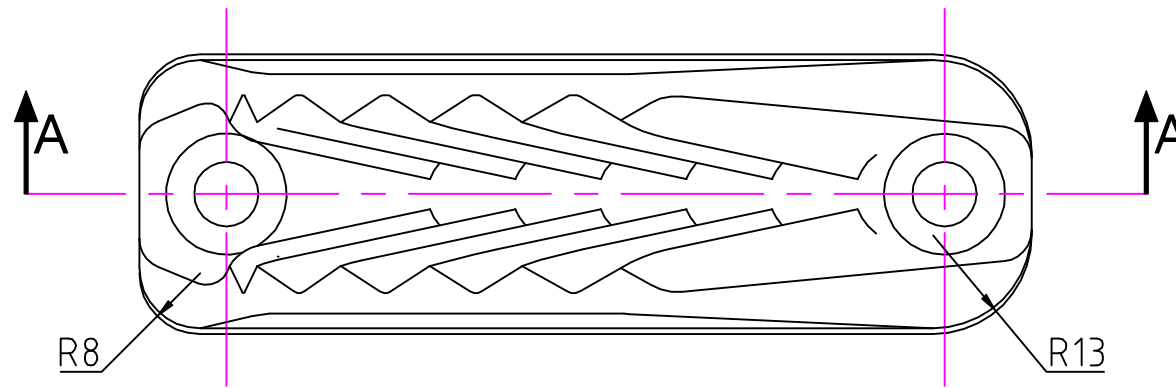
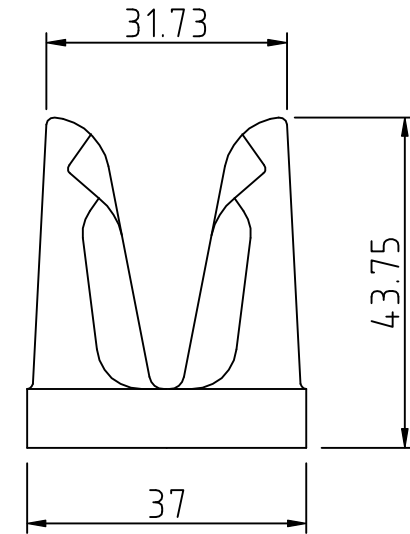
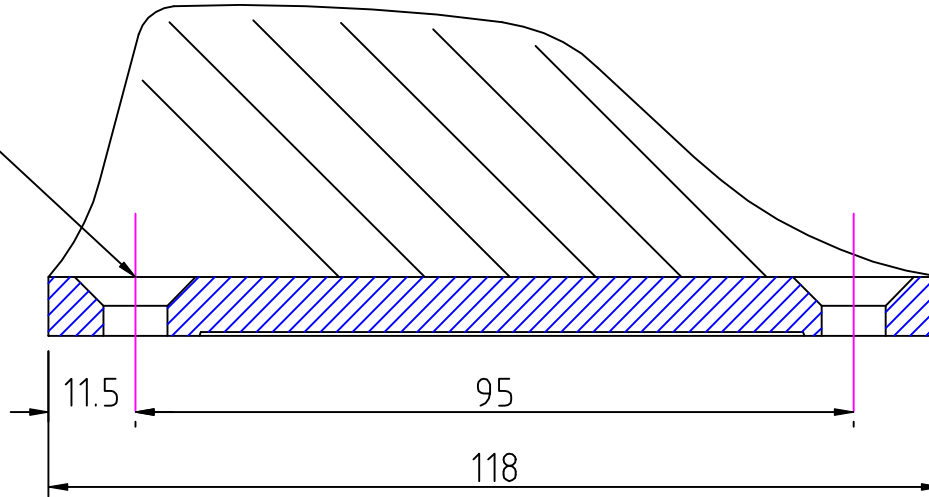

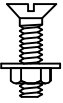
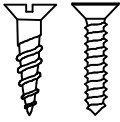



2 Holes  $\varnothing 8.5$   
countersunk  $\varnothing 16 \times 90^\circ$

Section 'AA'



	 M8 5/16"
 8mm. No.16	 $\varnothing 12-16\text{mm}$ 1/2" - 5/8"

Issue: 2. July 1998  
ID220.dwg

Material:  
Diecast Aluminium

Installation Drawing for:-

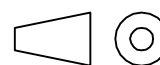
**CL220**

Racing Major

**Clamcleat®**  
Rope cleats

Clamcleats Limited  
Watchmead  
Welwyn Garden City  
Hertfordshire AL7 1AP  
England

Telephone +44 (0)1707 330101  
Fax +44 (0)1707 321269  
<http://www.clamcleat-rope-cleats.com>



Scale 1:1  
All dimensions in mm.