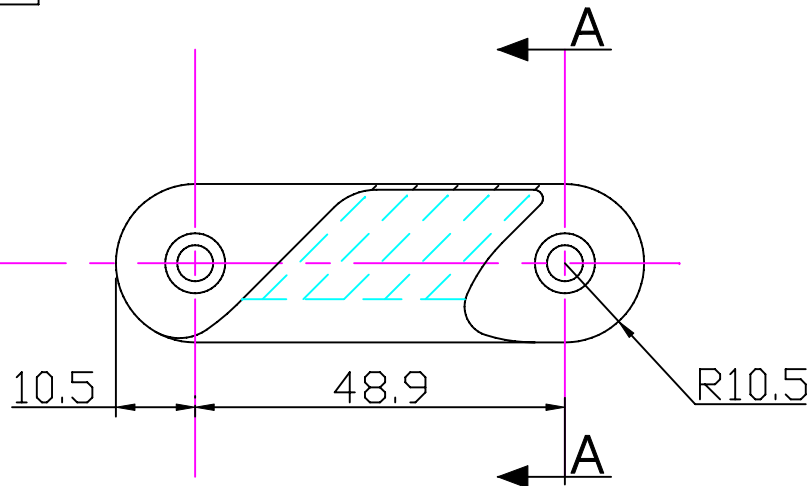
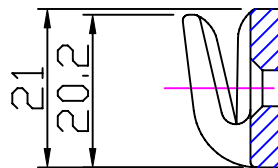
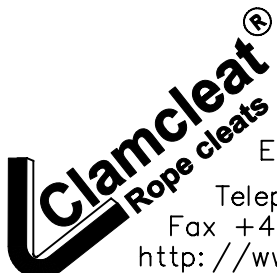
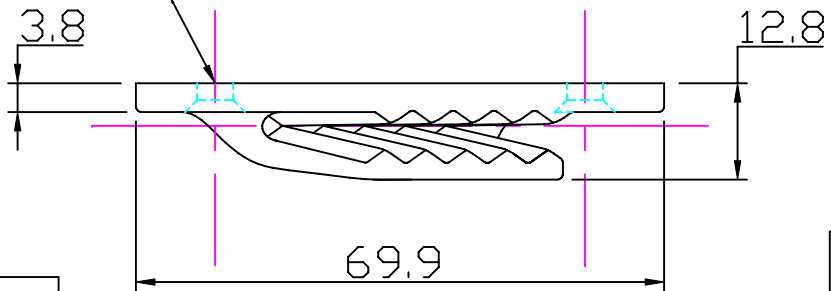


M4 4/4.2mm  $\phi 2 - 5\text{mm}$   
 #8 (5/32") N0.8 1/16" - 3/16"

Section 'AA'

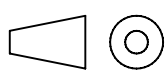


2 Holes  $\phi 4.8$   
 countersunk  $\phi 8.0 \times 90^\circ$



Clamcleats Limited  
 Watchmead  
 Welwyn Garden City  
 Hertfordshire AL7 1AP  
 England

Telephone +44 (0)1707 330101  
 Fax +44 (0)1707 321269  
<http://www.clamcleat-rope-cleats.com>



Scale 1:1  
 All dimensions in mm.

Issue: 3.	May 2006
	ID213.dwg
Material:	Nylon
Installation Drawing for:-	<b>CL213</b>
	Fine Line (Starboard)