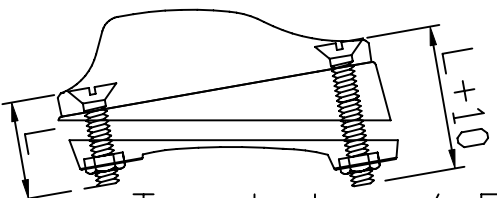
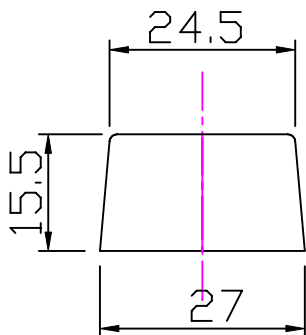
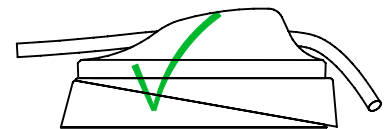
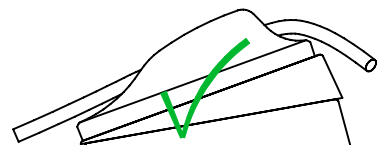
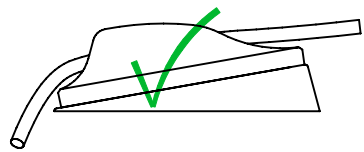
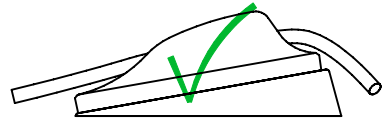
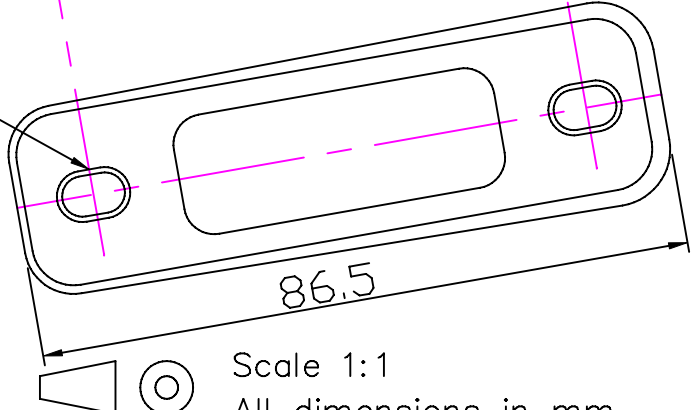
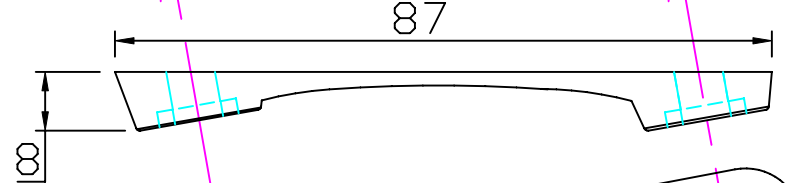
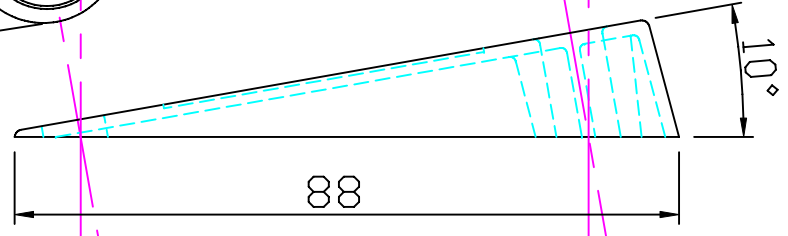
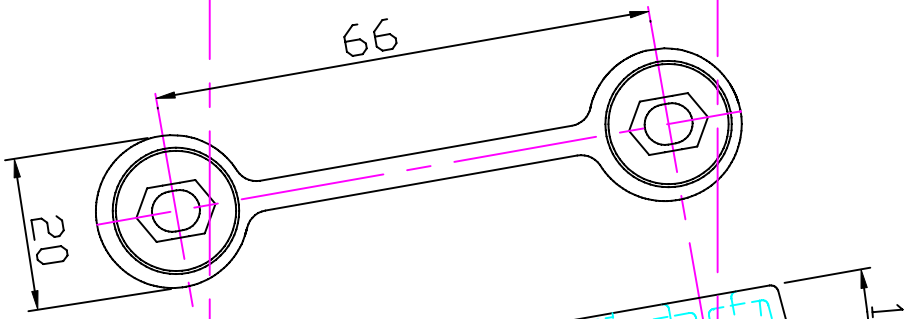
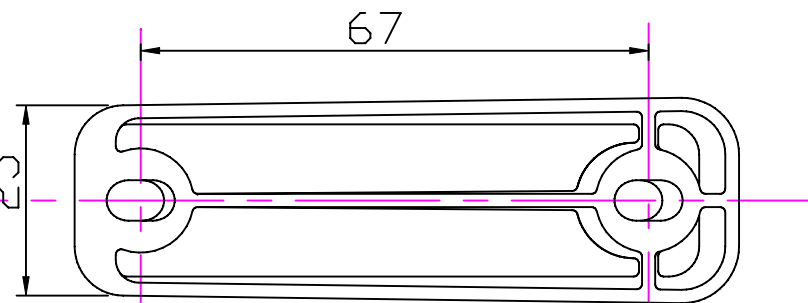


M5
#10_3/16"



Two holes \varnothing 5.3x8.3



Clamcleats Limited
Watchmead
Welwyn Garden City
Hertfordshire AL7 1AP
England

Telephone +44 (0)1707 330101
Fax +44 (0)1707 321269
<http://www.clamcleat.com>

Scale 1:1
All dimensions in mm.

Issue: 2. May 2006
ID818.dwg

Material:
Polypropylene

Installation Drawing for: -
CL818
Tapered Pad for: CL203, CL211mk1,
CL211mk1AN, CL217mk1, CL218mk1,
CL236, CL236AN, CL704, CL704AN