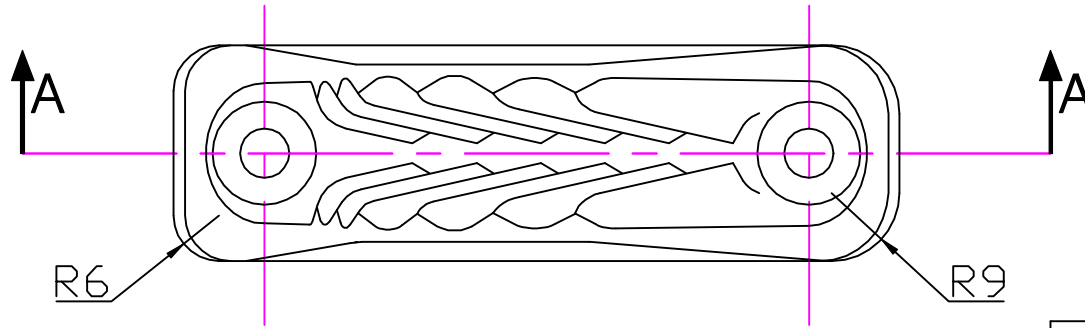
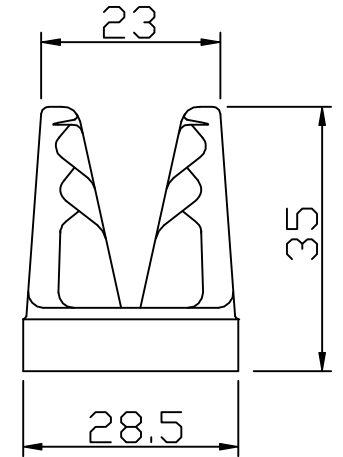
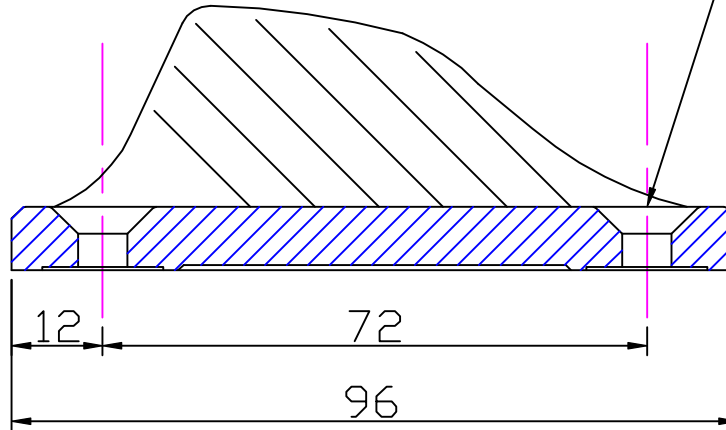
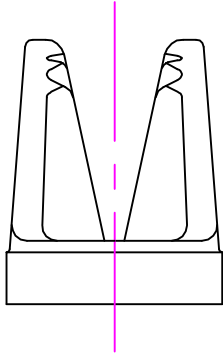


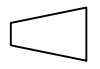

~~M6~~ M6 6.3mm Ø6 -12mm
~~1/4"~~ 1/4" No.14 1/4" - 1/2"

Section 'AA'

2 Holes $\phi 6.5$
countersunk $\phi 13.7 \times 90^\circ$



Clamcleat®
 Rope cleats
 Clamcleats Limited
 Watchmead
 Welwyn Garden City
 Hertfordshire AL7 1AP
 England
 Telephone +44 (0)1707 330101
 Fax +44 (0)1707 321269
<http://www.clamcleat-rope-cleats.com>



 Scale 1:1
 All dimensions in mm.

Issue: 2.	Oct 1998
ID201.dwg	
Material:	Nylon
Installation Drawing for:-	
CL201	
Vertical	