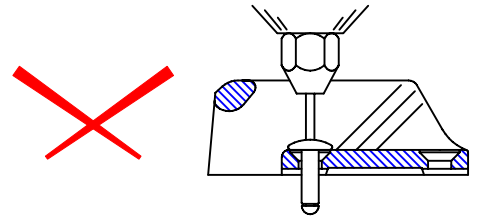
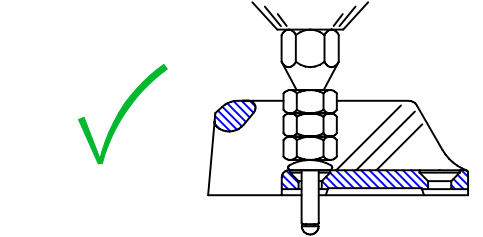


Notes: -  
For marine applications, use a silicone sealant or a bedding compound to avoid electrolytic action between the cleat and metal fastenings.

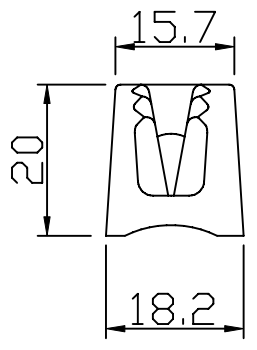
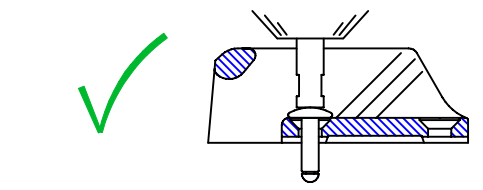
Standard rivet gun nozzles do not fit inside cleat.



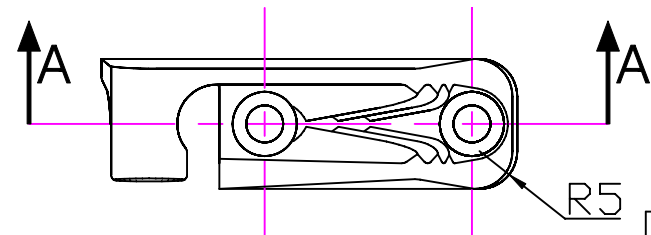
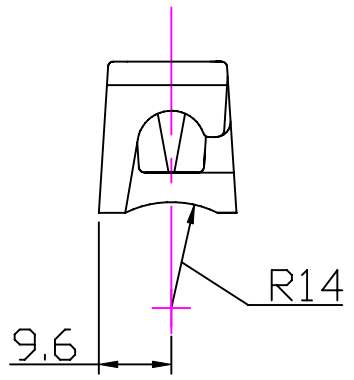
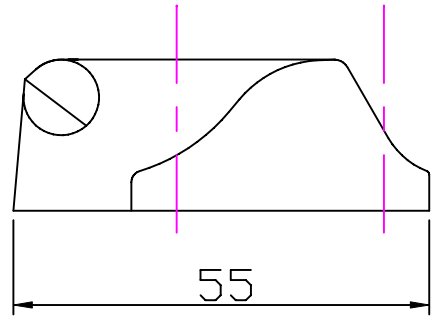
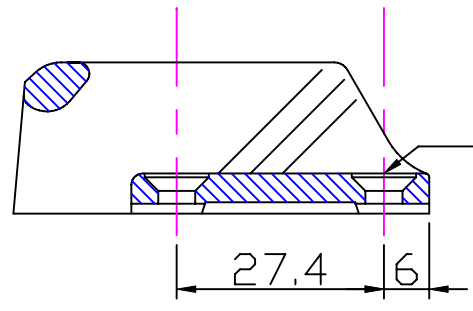
Use 2 or 3 nuts to extend nozzle.



Extended nozzle is best  
Consult rivet gun supplier.



Section 'AA'



**Clamcleat®**  
Rope cleats

Clamcleats Limited  
Watchmead  
Welwyn Garden City  
Hertfordshire AL7 1AP  
England

Telephone +44 (0)1707 330101  
Fax +44 (0)1707 321269  
<http://www.clamcleat-rope-cleats.com>

Scale 1:1  
All dimensions in mm.

Issue: 4. May 2006  
ID2182.dwg

Material:  
Diecast Aluminium

Installation Drawing for:-  
**CL218 Mk2**  
Side Entry Mk2  
(Port)