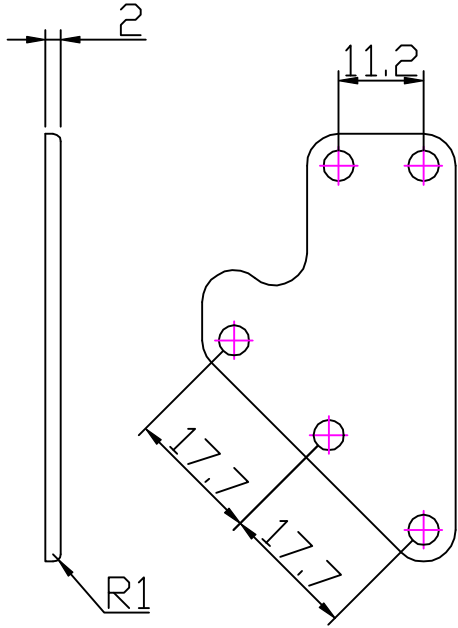
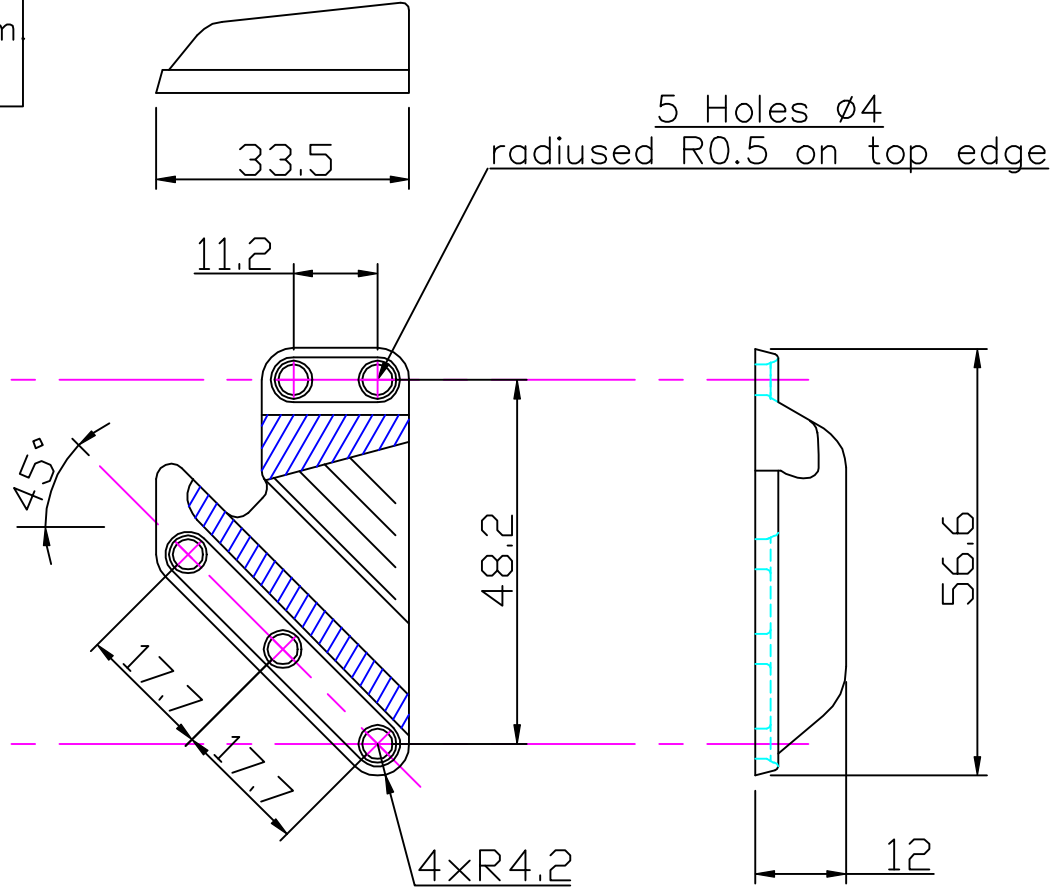
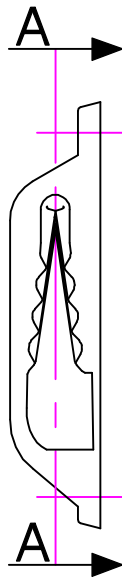


$\phi 2 - 6\text{mm}$
 $3/32'' - 1/4''$



Backing Plate



Section 'AA'



Clamcleats Limited
 Watchmead
 Welwyn Garden City
 Hertfordshire AL7 1AP
 England

Telephone +44 (0)1707 330101
 Fax +44 (0)1707 321269
<http://www.clamcleat-rope-cleats.com>



Scale 1:1
 All dimensions in mm.

Issue: 1, Nov 2000
 ID233.dwg

Material:
 Nylon

Installation Drawing for:-

CL233

Sail Line Cleat