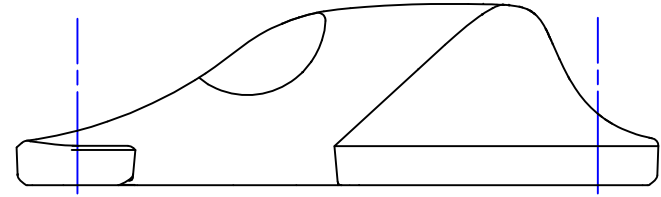
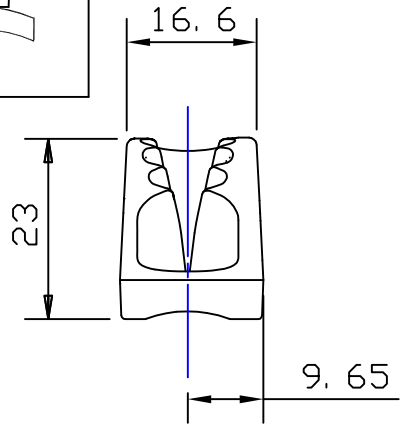
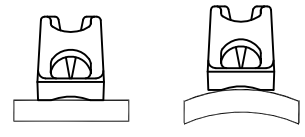
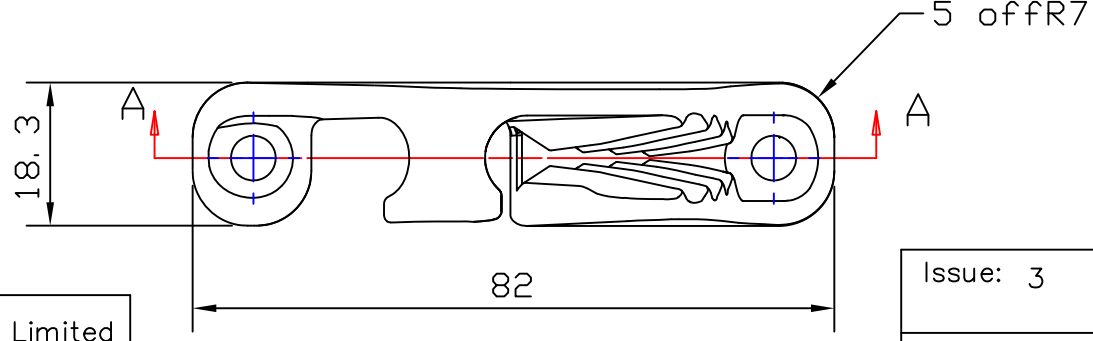
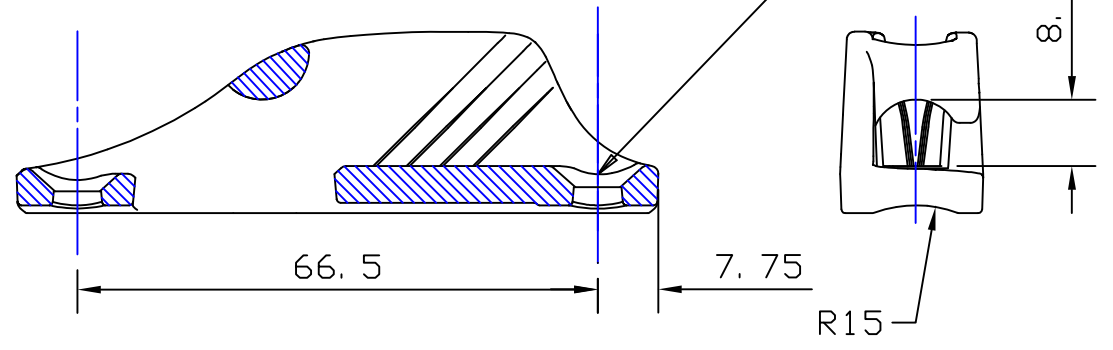


Notes: -
 For marine applications, use a silicone sealant or a bedding compound to avoid electrolytic action between the cleat and metal fastenings.



Section 'A' A'



Clamcleat®
 Rope cleats

Clamcleats Limited
 Watchmead
 Welwyn Garden City
 Hertfordshire AL7 1AP
 England
 Telephone +44 (0)1707 330101
 Fax +44 (0)1707 321269
 Email sales@clamcleat.com
 www.clamcleat.com

Scale 1:1
 All dimensions in mm.

Issue: 3 Feb 2010
 ID2181.dwg

Material:
 Diecast Aluminium

Installation Drawing for: -
CL218 Mk 1.
 Side Entry Mk 1
 (Port)