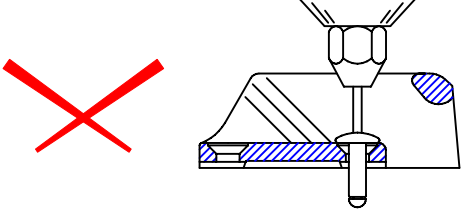
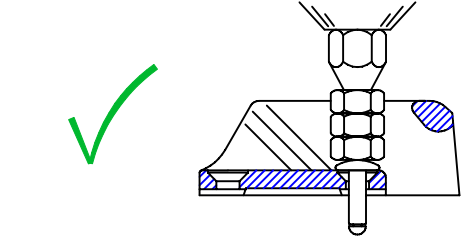


Notes: -
 For marine applications, use a silicone sealant or a bedding compound to avoid electrolytic action between the cleat and metal fastenings.

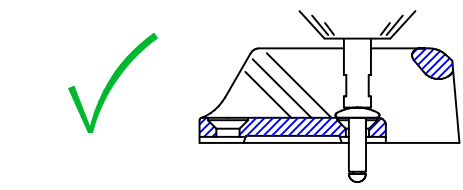
Standard rivet gun nozzles do not fit inside cleat.



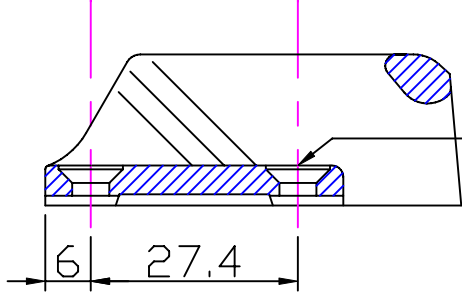
Use 2 or 3 nuts to extend nozzle.



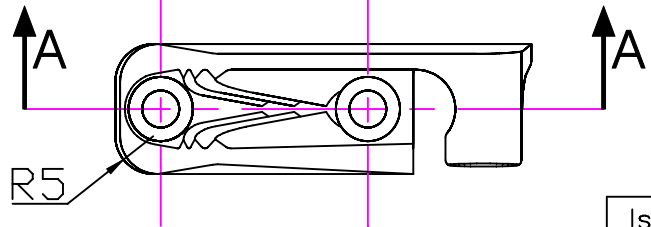
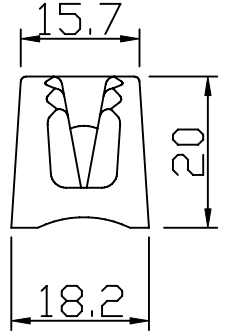
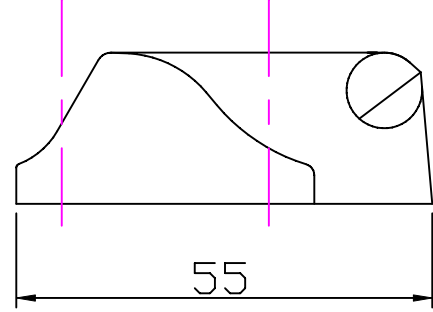
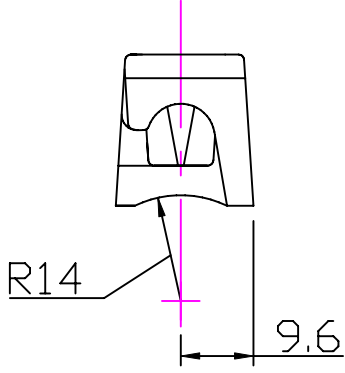
Extended nozzle is best
 Consult rivet gun supplier.



Section 'AA'



2 Holes $\phi 4.9$
 countersunk $\phi 8.5 \times 90^\circ$



Clamcleat®
 Rope cleats

Clamcleats Limited
 Watchmead
 Welwyn Garden City
 Hertfordshire AL7 1AP
 England

Telephone +44 (0)1707 330101
 Fax +44 (0)1707 321269
<http://www.clamcleat-rope-cleats.com>

Scale 1:1
 All dimensions in mm.

Issue: 4. May 2006
 ID2172.dwg

Material:
 Diecast Aluminium

Installation Drawing for:-
CL217 Mk2
 Side Entry Mk2
 (Starboard)