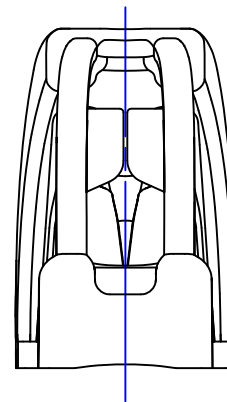
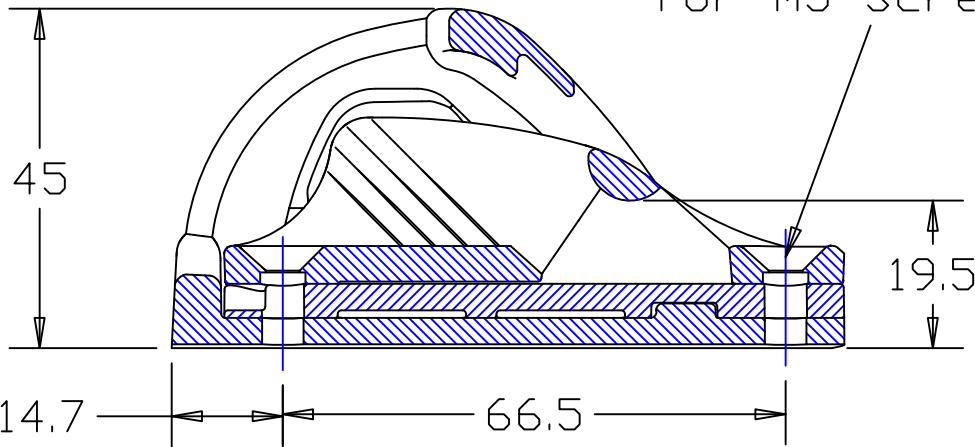
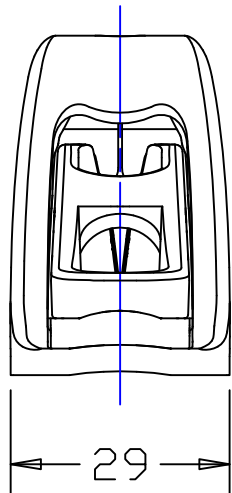
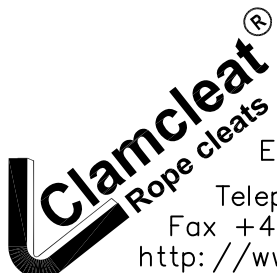
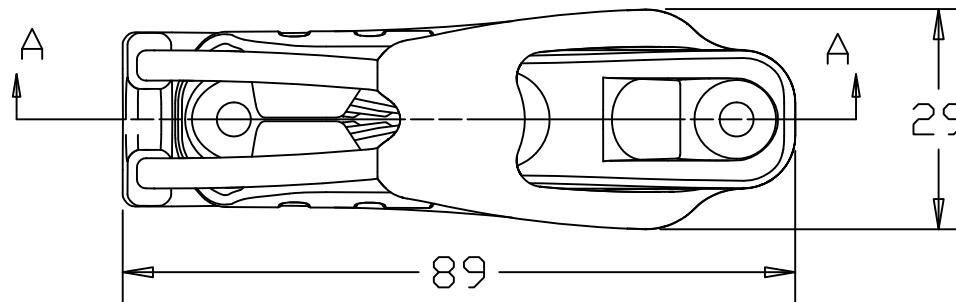


M5 4.8mm  $\varnothing 3-6\text{mm}$   
 #10 (3/16") No.10 1/8"-1/4"

2 off CSK holes  
 for M5 Screws

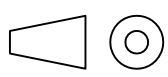


Section A-A



Clamcleats Limited  
 Watchmead  
 Welwyn Garden City  
 Hertfordshire AL7 1AP  
 England

Telephone +44 (0)1707 330101  
 Fax +44 (0)1707 321269  
<http://www.clamcleat-rope-cleats.com>



Scale 1:1  
 All dimensions in mm.

Issue: 1 Oct 2011  
 ID833CKC.dwg

Material:  
 Stainless Steel, Nylon, Aly

Installation Drawing for:-

**CL833CKC**

Cleat, Keeper & Cage