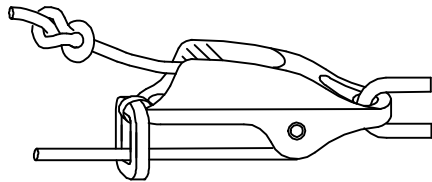
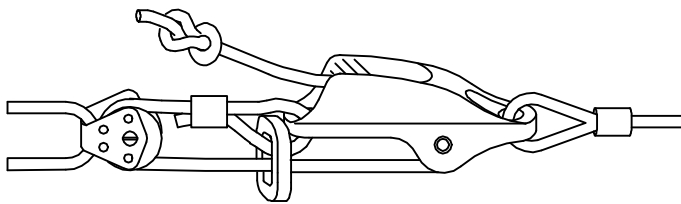




Ø4 – 8mm
3/16" – 5/16"

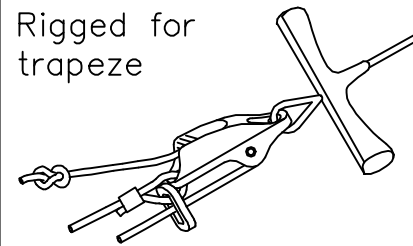


Rigged 1:1

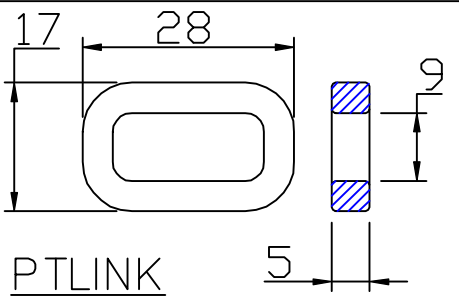
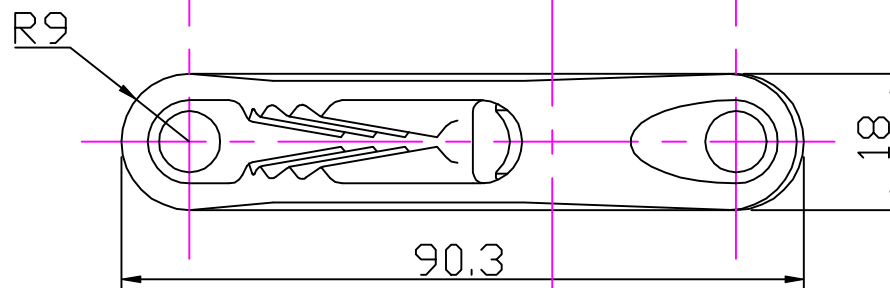
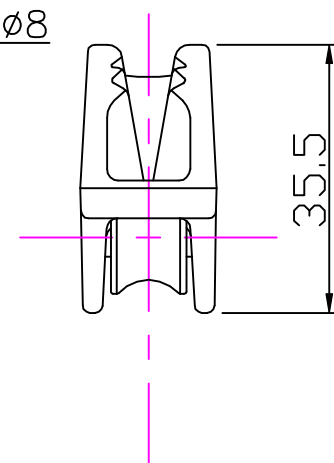
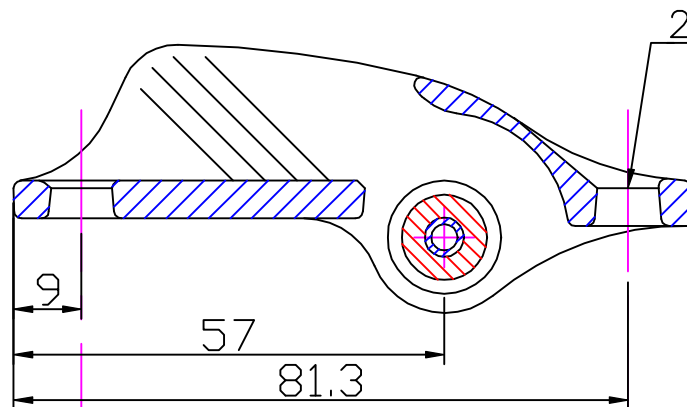
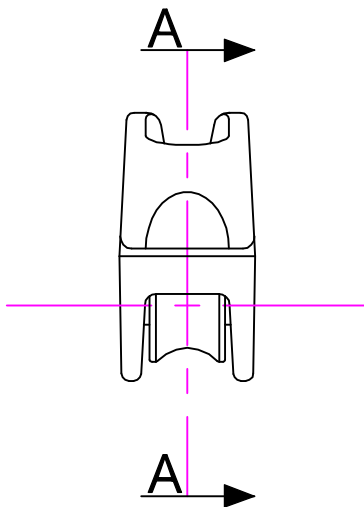


Rigged 2:1

Rigged for
trapeze



Section 'AA'



PTLINK



Issue: 1. Jul 2000
ID253.dwg

Material:
Cleat: – Diecast Aluminium
Roller: – Reinforced Nylon

Installation Drawing for: –

CL253

Trapeze & Vang Cleat



Clamcleats Limited
Watchmead
Welwyn Garden City
Hertfordshire AL7 1AP
England

Telephone +44 (0)1707 330101
Fax +44 (0)1707 321269
<http://www.clamcleat-rope-cleats.com>



Scale 1:1

All dimensions in mm.