

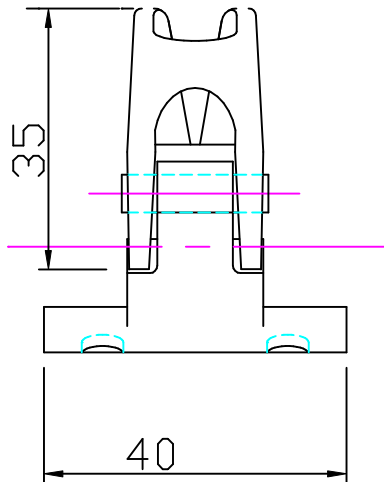


Ø4 – 8mm

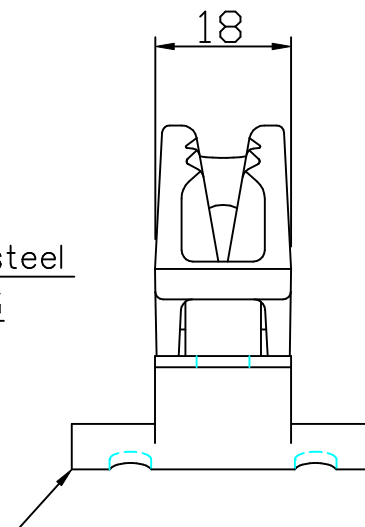
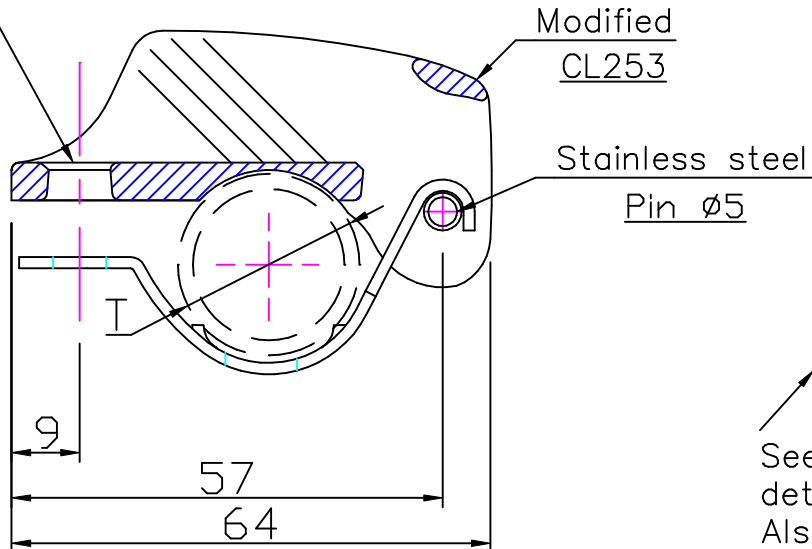
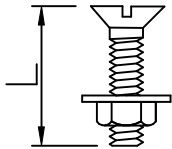
3/16" – 5/16"

Hole Ø8

Cleat Section 'AA'

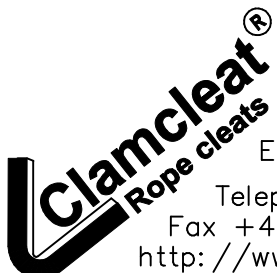
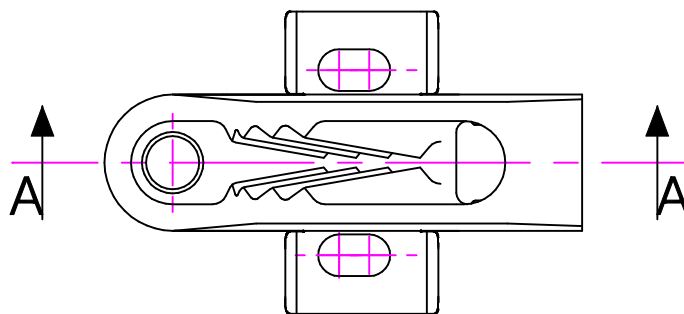


Stainless Steel Bolt
M6 – 1/4"



See page 2 for strap details.
Also see page 3 Fitting Instructions.

Bolt Length L	Tube Ø T
25mm	25–27mm
40mm	28–31mm
1"	1"–1 1/16"
1 1/2"	1 1/16"–1 3/16"



Clamcleats Limited
Watchmead
Welwyn Garden City
Hertfordshire AL7 1AP
England

Telephone +44 (0)1707 330101
Fax +44 (0)1707 321269
<http://www.clamcleat.com>

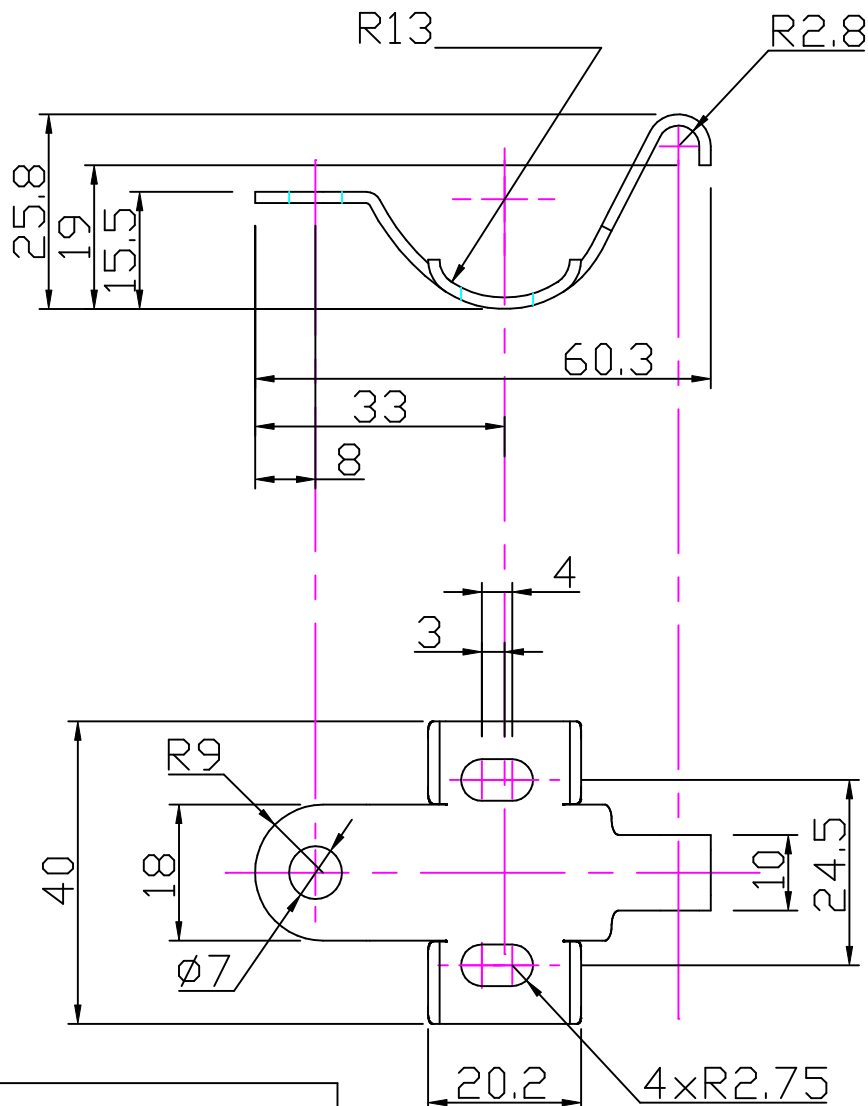


Scale 1:1
All dimensions in mm.

Issue: 1 Jul 2005
ID265.dwg

Material:
Cleat: Diecast Aluminium
Strap: Stainless Steel

Installation Drawing for:–
CL265
Kitesurfing Bar Cleat



Clamcleats Limited
 Watchmead
 Welwyn Garden City
 Hertfordshire AL7 1AP
 England

Telephone +44 (0)1707 330101
 Fax +44 (0)1707 321269
<http://www.clamcleat.com>



Scale 1:1
 All dimensions in mm.

Issue: 1.	Jun 2003
ID265Strap.dwg	
Material: 1.5mm Stainless Steel	
Installation Drawing for:- CL265 Strap Kite Surfing Bar Cleat Strap	

Clamcleat® Rope cleats

CL265 Kitesurfing Bar Cleat

© FXABONNENC.com

www.clamcleat.com/kitesurf.htm

A

- Hands stay on bar while adjusting.
- Lock on, lock off with a small twist of the bar.
- Easier to do one-handed and no-handed tricks.

B

Alternative rig with a Fairlead

CL265 Bar Cleat suitable for any bar with fixed or offset leader line adjustment. Overall bar diameter 25mm (1") to 31mm (1³/₁₆").

25 - 27mm \varnothing
1" - 1¹/₁₆" \varnothing

28 - 31mm \varnothing
1¹/₁₆" - 1³/₁₆" \varnothing

4 - 8mm \varnothing
(³/₁₆" - ⁵/₁₆" \varnothing)

A

Power locking at any position while keeping both hands on the bar. Bar stays locked when hands free.

B

	N° *	* x 2	* x 2	* x 2
Holt*	HA 4152	M4(N°8-32UNC)	M4(⁵ / ₃₂ "	M4(N°8-32UNC)
RWO*	R 2944	M5(³ / ₁₆ "	M5(³ / ₁₆ "	M5(³ / ₁₆ "
Ronstan*	RF 59	M5(³ / ₁₆ "	M5(³ / ₁₆ "	M5(³ / ₁₆ "

*Not supplied