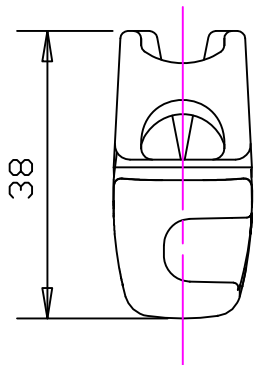
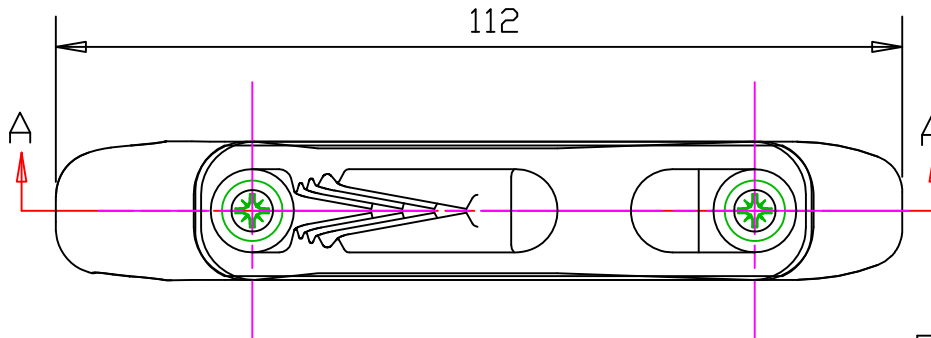
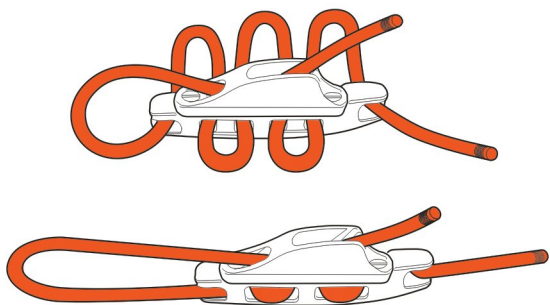
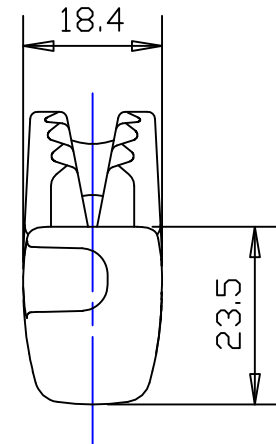
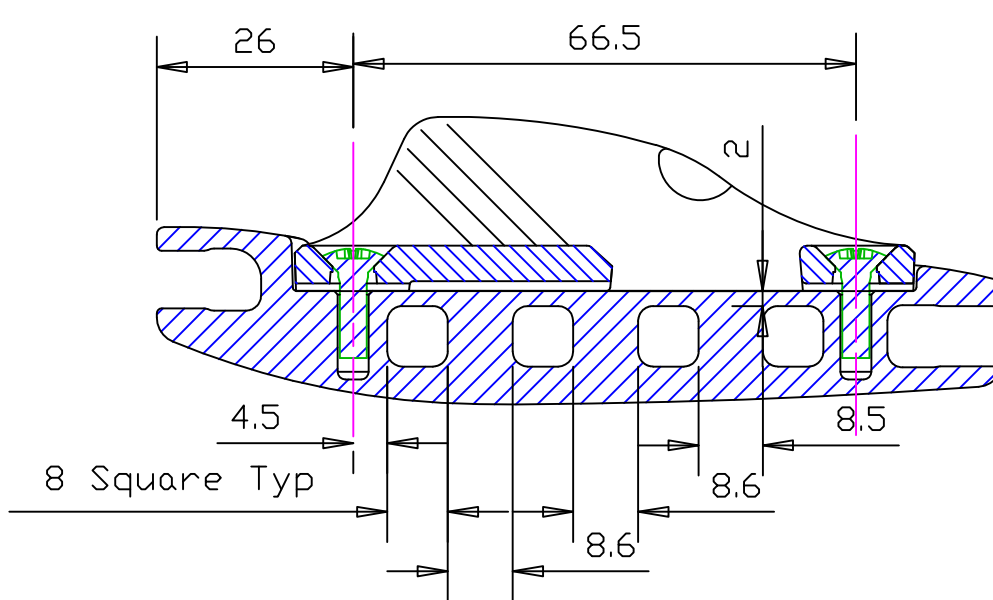


Ø 4-6MM  
5/32"-1/4"



Section 'A-A'



**Clamcleat®**  
Rope cleats

Clamcleats Limited  
Watchmead  
Welwyn Garden City  
Hertfordshire AL7 1AP  
England  
Telephone +44 (0)1707 330101  
Fax +44 (0)1707 321269  
Email sales@clamcleat.com  
www.clamcleat.com



Scale 1:1  
All dimensions in mm.

Issue: 1 Jan 2010  
ID827.dwg

Material:  
Aluminium & Nylon

Installation Drawing for:-

**CL827-11**

Aero Cleat with CL211 Mk1