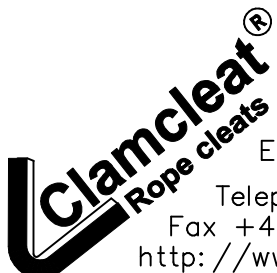
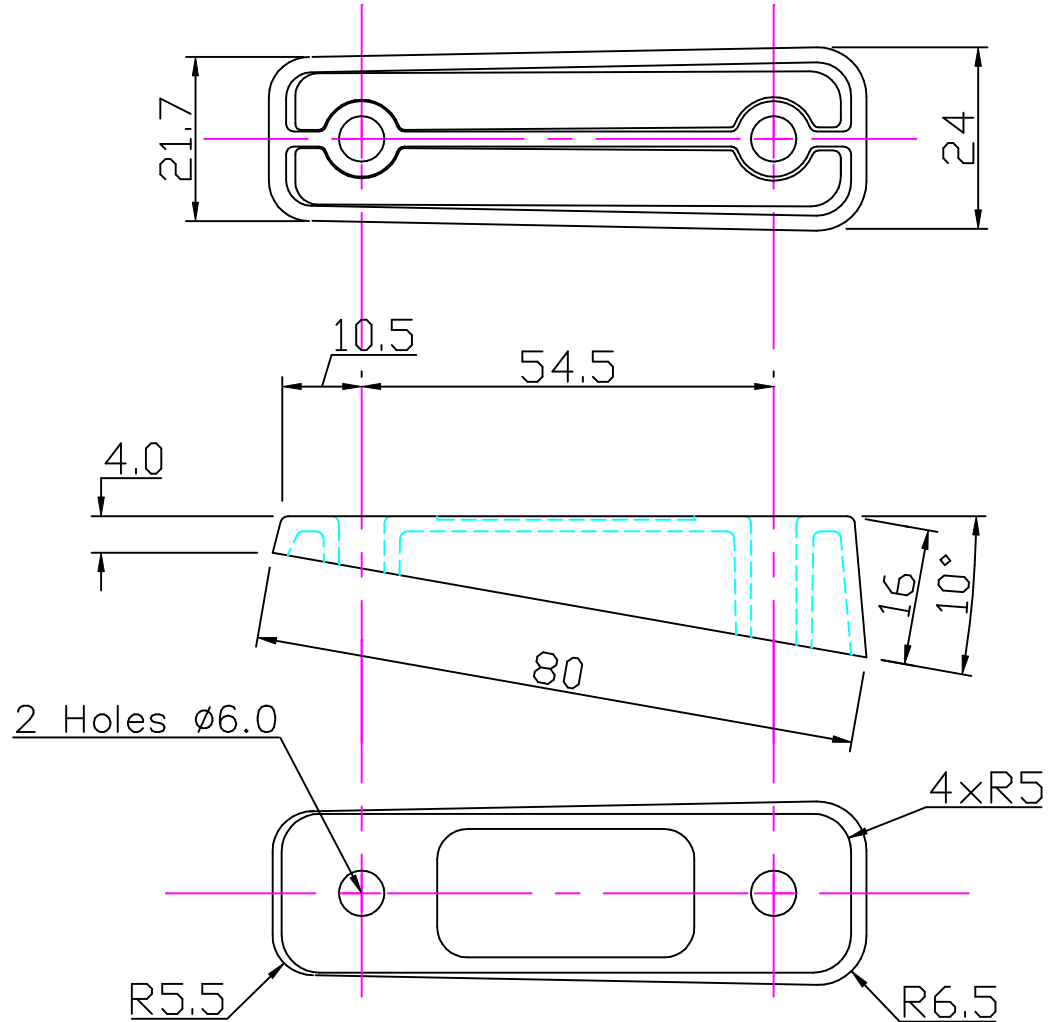
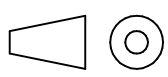


Application



Clamcleats Limited  
 Watchmead  
 Welwyn Garden City  
 Hertfordshire AL7 1AP  
 England

Telephone +44 (0)1707 330101  
 Fax +44 (0)1707 321269  
<http://www.clamcleat-rope-cleats.com>



Scale 1:1  
 All dimensions in mm.

Issue: 2. May 2002  
 ID803.dwg

Material:  
 Polypropolene

Installation Drawing for:-  
**CL803**  
 Tapered Pad  
 for CL209 & CL254