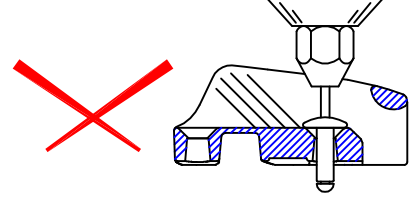
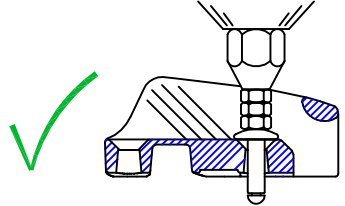


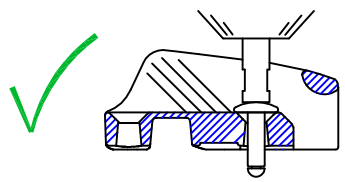
Standard rivet gun nozzles do not fit inside cleat.



Use 2 or 3 nuts to extend nozzle.

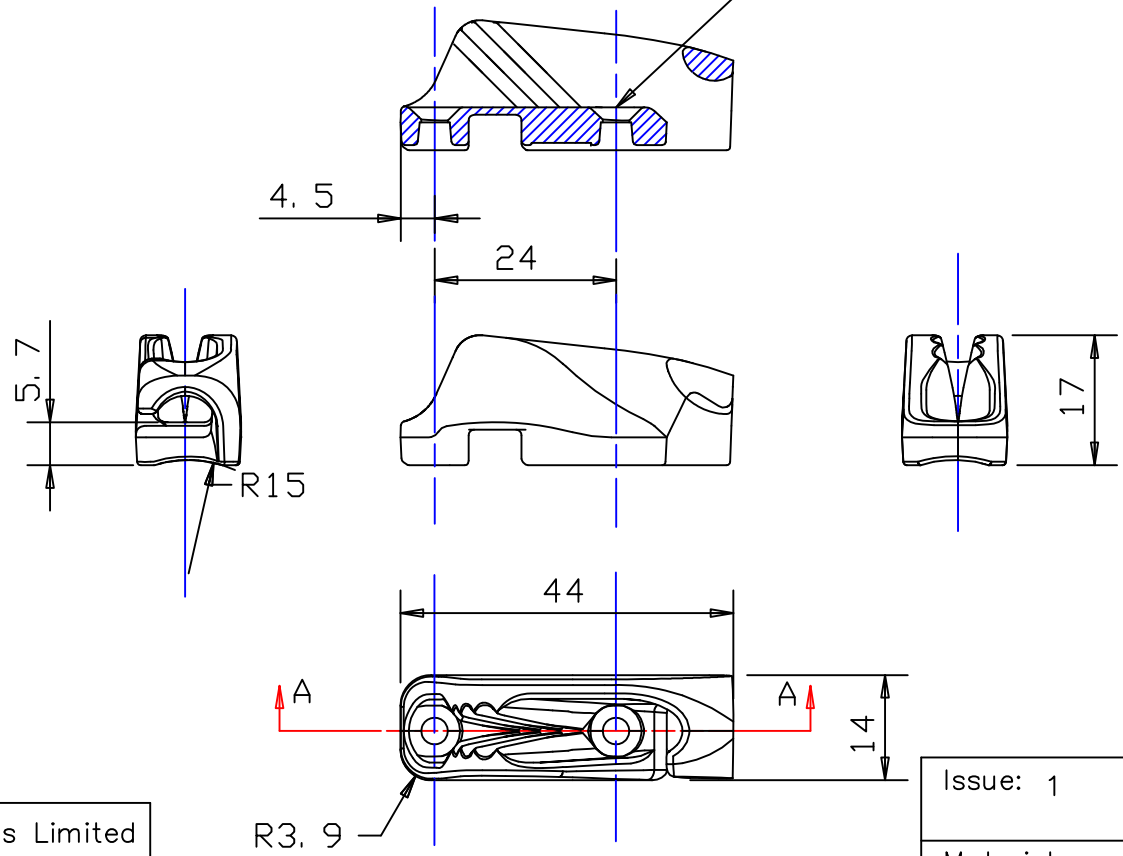


Extended nozzle is best Consult rivet gun supplier.




Section A-A

2 Holes 3.5dia
Countersunk 7.5dia x 90deg



Clamcleat®
 Rope cleats
 Clamcleats Limited
 Watchmead
 Welwyn Garden City
 Hertfordshire AL7 1AP
 England
 Telephone +44 (0)1707 330101
 Fax +44 (0)1707 321269
 Email sales@clamcleat.com
 www.clamcleat.com


 Scale 1:1
 All dimensions in mm.

Issue: 1	Dec 2008
ID277.dwg	
Material: Diecast Aluminium	
Installation Drawing for:-	
CL277	
Racing Micros	