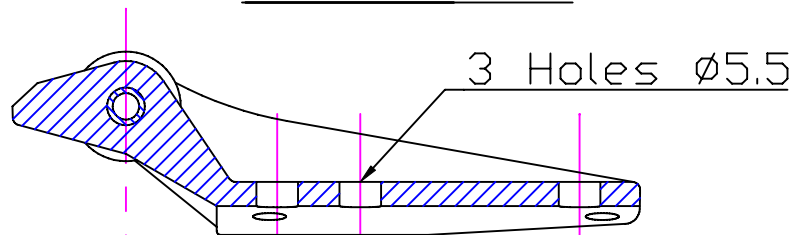


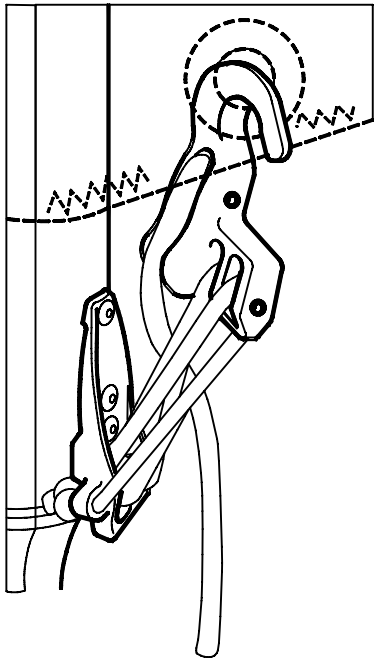
Ø 3–5mm
1/8"– 3/16"

4.8mm
3/16"

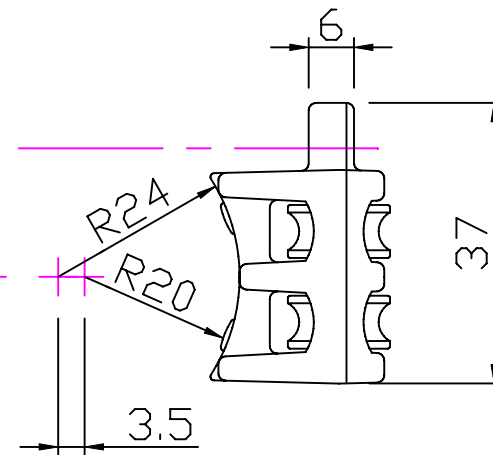
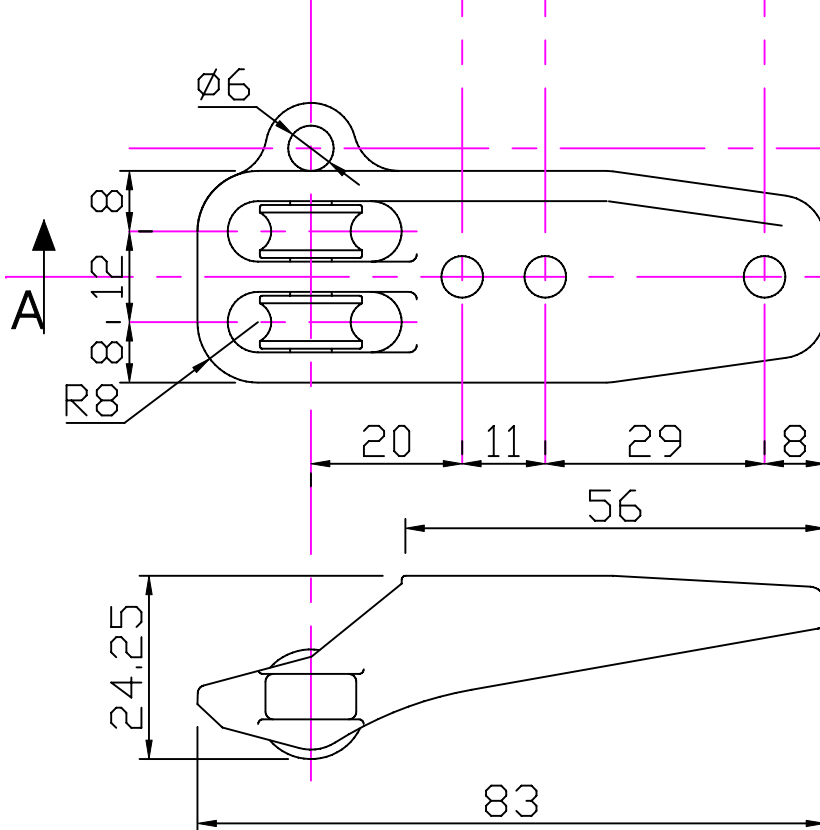
Section 'AA'



Notes: –
For marine applications, use a silicone sealant or a bedding compound to avoid electrolytic action between the cleat and metal fastenings.



Application 6:1
CL708 + CL248



Clamcleats Limited
Watchmead
Welwyn Garden City
Hertfordshire AL7 1AP
England

Telephone +44 (0)1707 330101
Fax +44 (0)1707 321269
<http://www.clamcleat-rope-cleats.com>



Scale 1:1
All dimensions in mm.

Issue: 2. May 2006
ID708.dwg

Material:
Cleat – Diecast Aluminium
Roller – Reinforced Nylon

Installation Drawing for: –
CL708
Rivet-on Fitting
for 6:1 Ratio