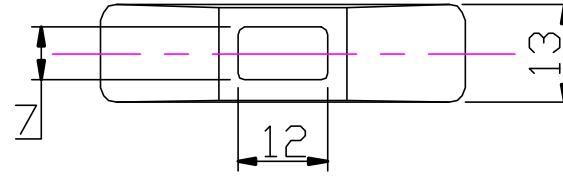




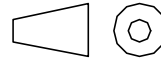
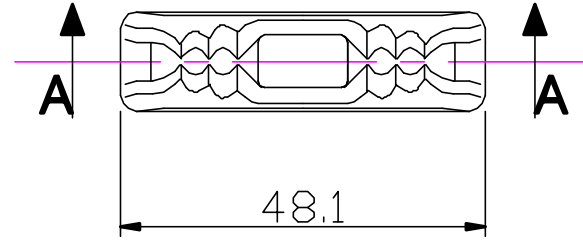
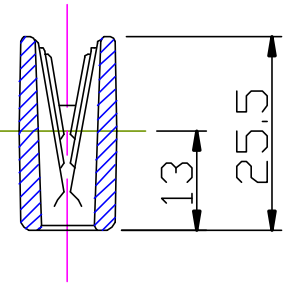
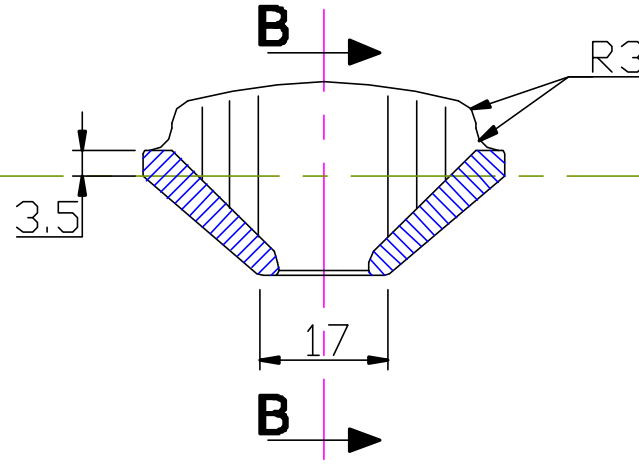
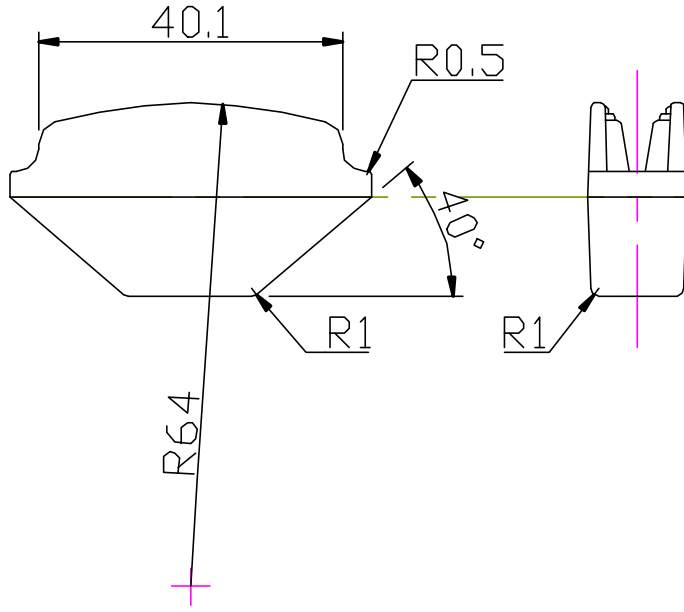
∅3 - 6mm

1/8" - 1/4"



Section 'AA'

Section 'BB'



Scale 1:1

All dimensions in mm.

Issue: 1. Aug 2001
ID710.dwg

Material:
Diecast Aluminium

Installation Drawing for:-

CL710

Twin Cleet Insert

Clamcleat®
Rope cleats

Clamcleats Limited
Watchmead
Welwyn Garden City
Hertfordshire AL7 1AP
England

Telephone +44 (0)1707 330101
Fax +44 (0)1707 321269
<http://www.clamcleat-rope-cleats.com>