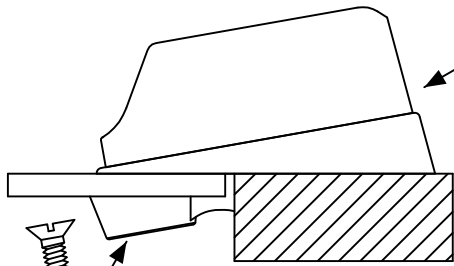
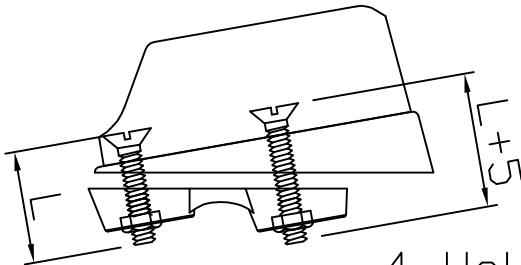
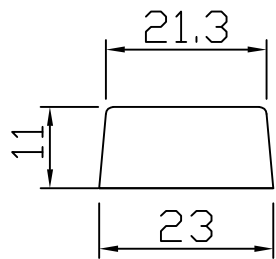


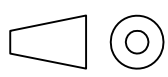
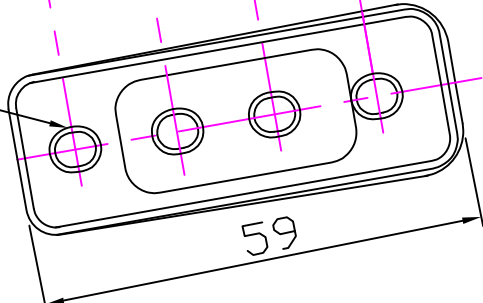
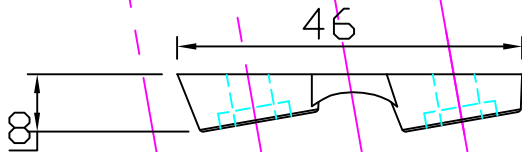
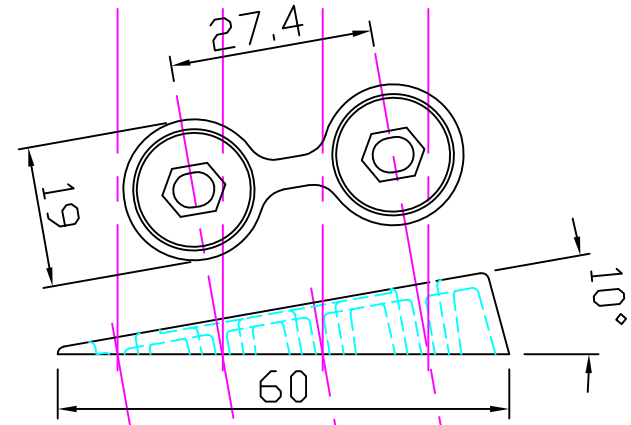
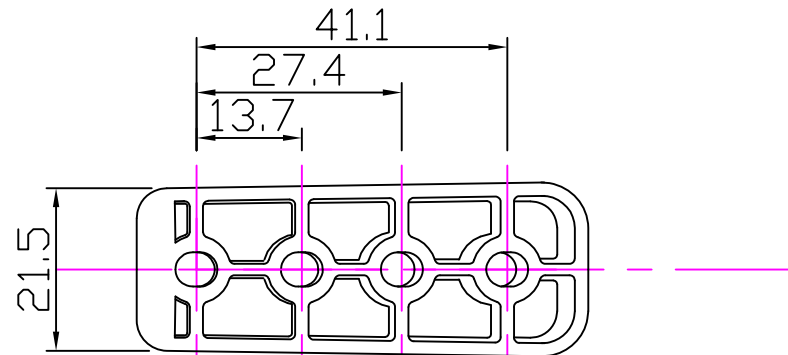
4/4.2MM
NO.8



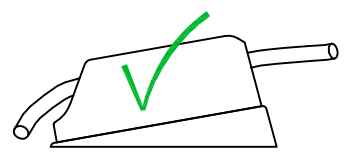
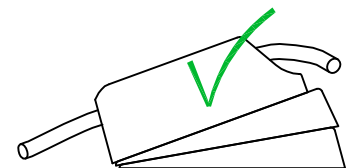
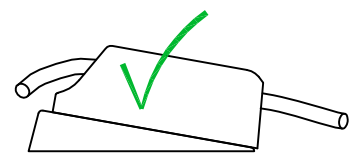
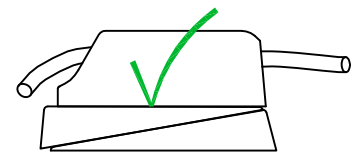
M4
#8_5/32"



4 Holes $\varnothing 4.5 \times 5.5$



Scale 1:1
All dimensions in mm.



Clamcleat®
Rope cleats
Clamcleats Limited
Watchmead
Welwyn Garden City
Hertfordshire AL7 1AP
England
Telephone +44 (0)1707 330101
Fax +44 (0)1707 321269
Email sales@clamcleat.com
http://www.clamcleat.com

Issue: 3 Mar 2009
ID819.dwg
Material:
Polypropylene
Installation Drawing for:-
CL819
Tapered Pad for CL211mk2,
CL217mk2, CL218mk2