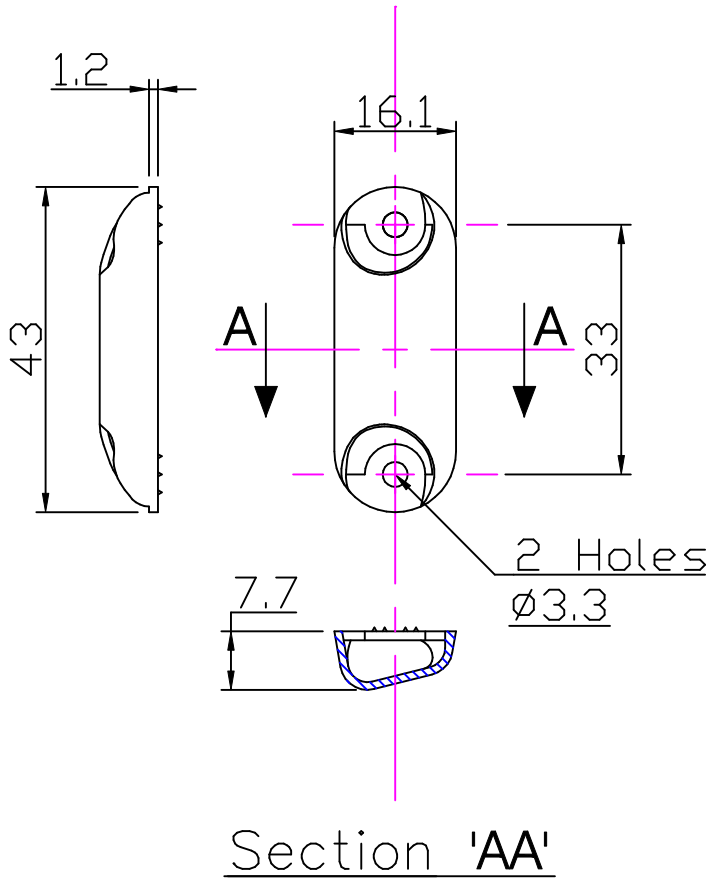
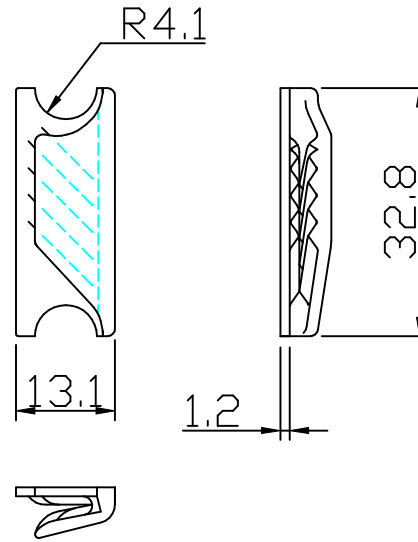


Shield

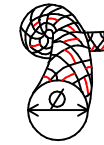
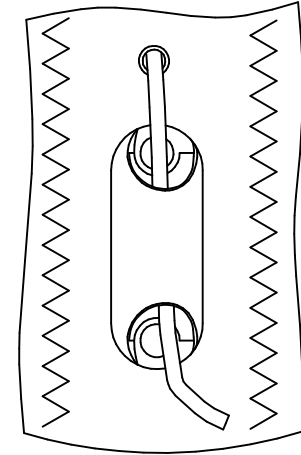


Cleat



Assembled Application

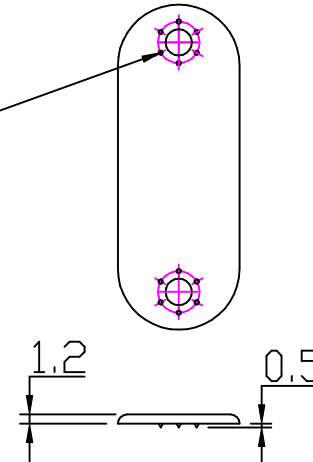
The cleat is assembled in the shield. Rivet goes through shield, cloth & backplate.



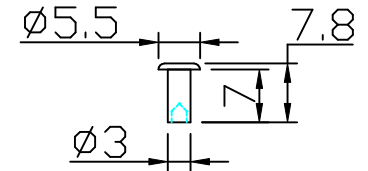
Ø0 - 3mm
0 - 1/8"

Backing Plate

6 Pips 0.5
deep
60° included
angle cones on
Ø5.5 P.C.D.



Rivet



Issue: 1. June 2002
ID221.dwg

Material:
Cleat - Nylon
Rivet - Aluminium

Installation Drawing for:-

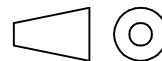
CL221

Dinghy Leach Line Cleat
with Shield



Clamcleats Limited
Watchmead
Welwyn Garden City
Hertfordshire AL7 1AP
England

Telephone +44 (0)1707 330101
Fax +44 (0)1707 321269
<http://www.clamcleat-rope-cleats.com>



Scale 1:1

All dimensions in mm.