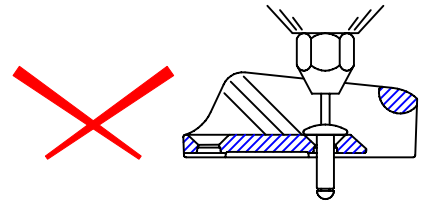
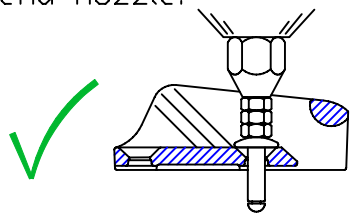


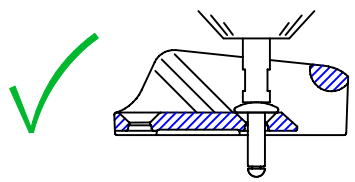
Standard rivet gun nozzles do not fit inside cleat.



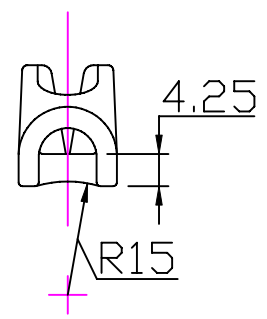
Use 2 or 3 nuts to extend nozzle.



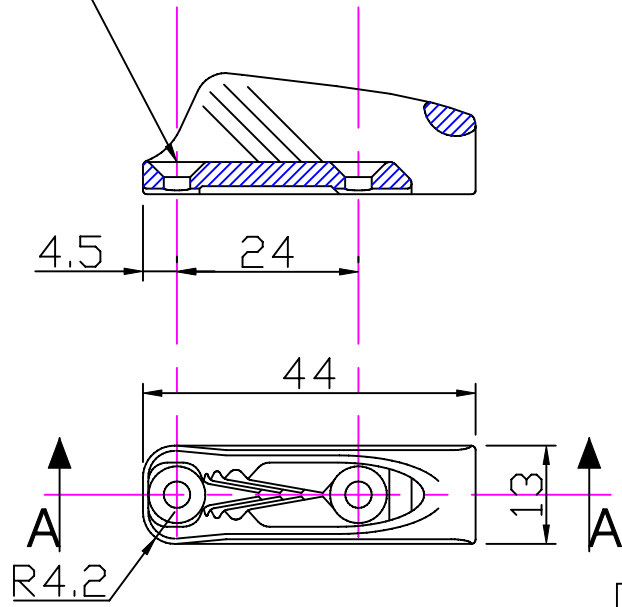
Extended nozzle is best Consult rivet gun supplier.



2 Holes  $\varnothing 3.5$   
countersunk  $\varnothing 7.5 \times 90^\circ$



Section 'AA'



**Clamcleat®**  
Rope cleats

Clamcleats Limited  
Watchmead  
Welwyn Garden City  
Hertfordshire AL7 1AP  
England

Telephone +44 (0)1707 330101  
Fax +44 (0)1707 321269  
www.clamcleat.com

Scale 1:1  
All dimensions in mm.

Issue: 3 February 2007 ID263.dwg
Material: Nylon
Installation Drawing for:- <b>CL263</b> Micros