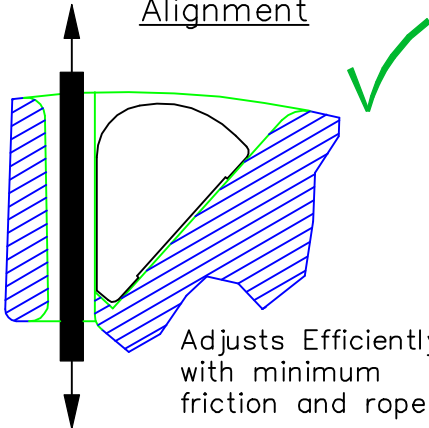




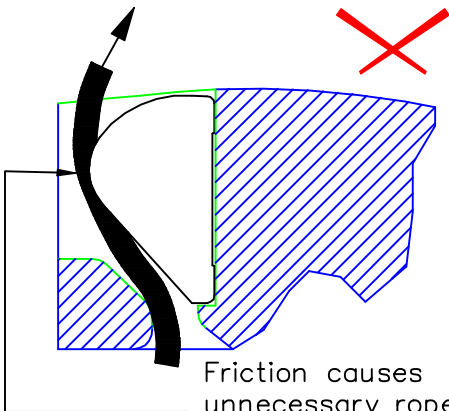
ø3 - 5mm

1/8" - 1/4"

CL712 Cleat/Rope Alignment

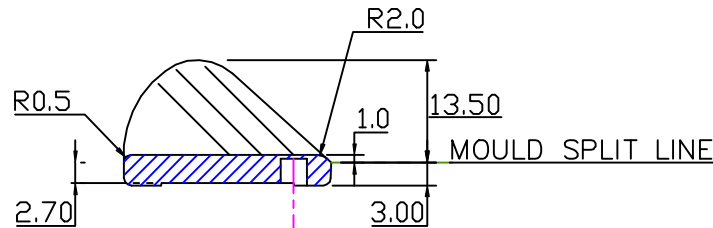
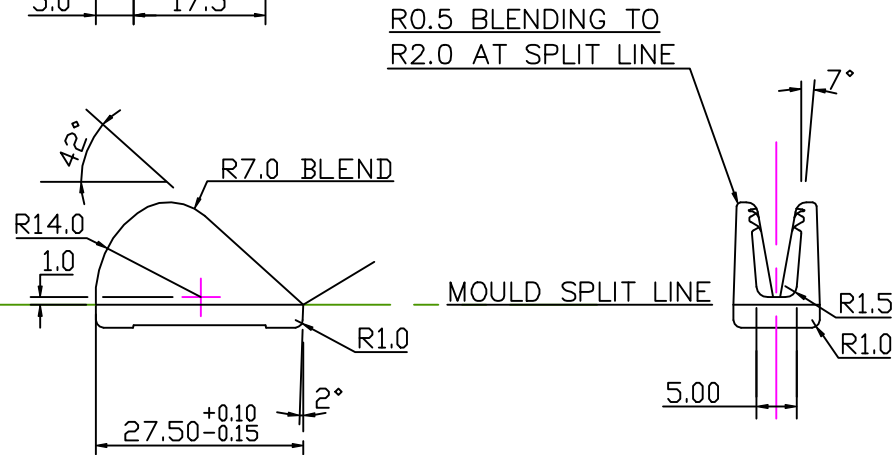
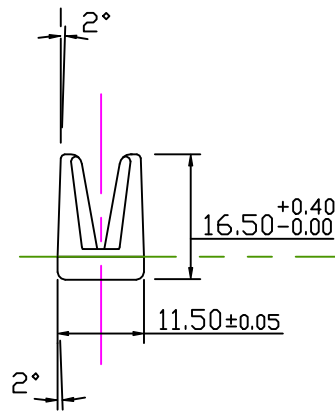
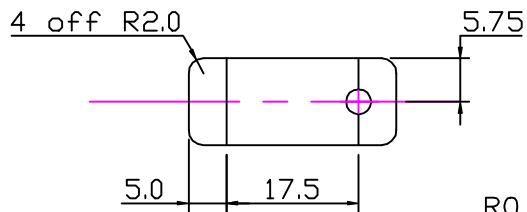


Adjusts Efficiently with minimum friction and rope wear.

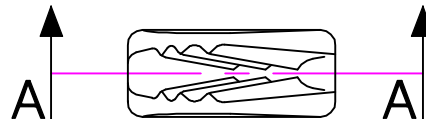


Friction causes unnecessary rope and cleat wear.

We can machine the cleat shape into your mould tool, free of charge.



Section 'AA'



Scale 1:1
All dimensions in mm.

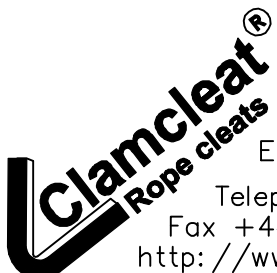
Issue: 4. Apr 2002
ID712.dwg

Material:
Diecast Aluminium

Installation Drawing for:-

CL712

Small Cleat Insert



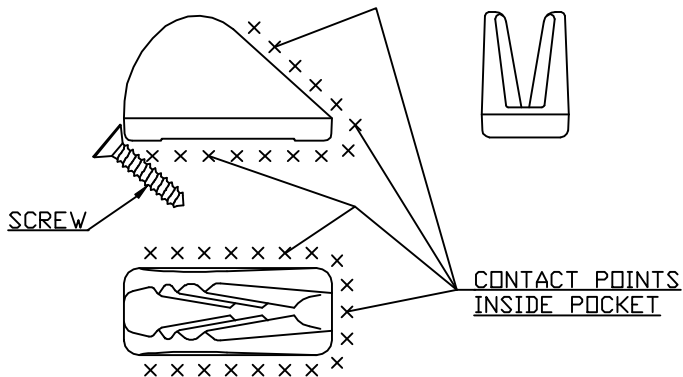
Clamcleats Limited
Watchmead
Welwyn Garden City
Hertfordshire AL7 1AP
England

Telephone +44 (0)1707 330101
Fax +44 (0)1707 321269
<http://www.clamcleat-rope-cleats.com>

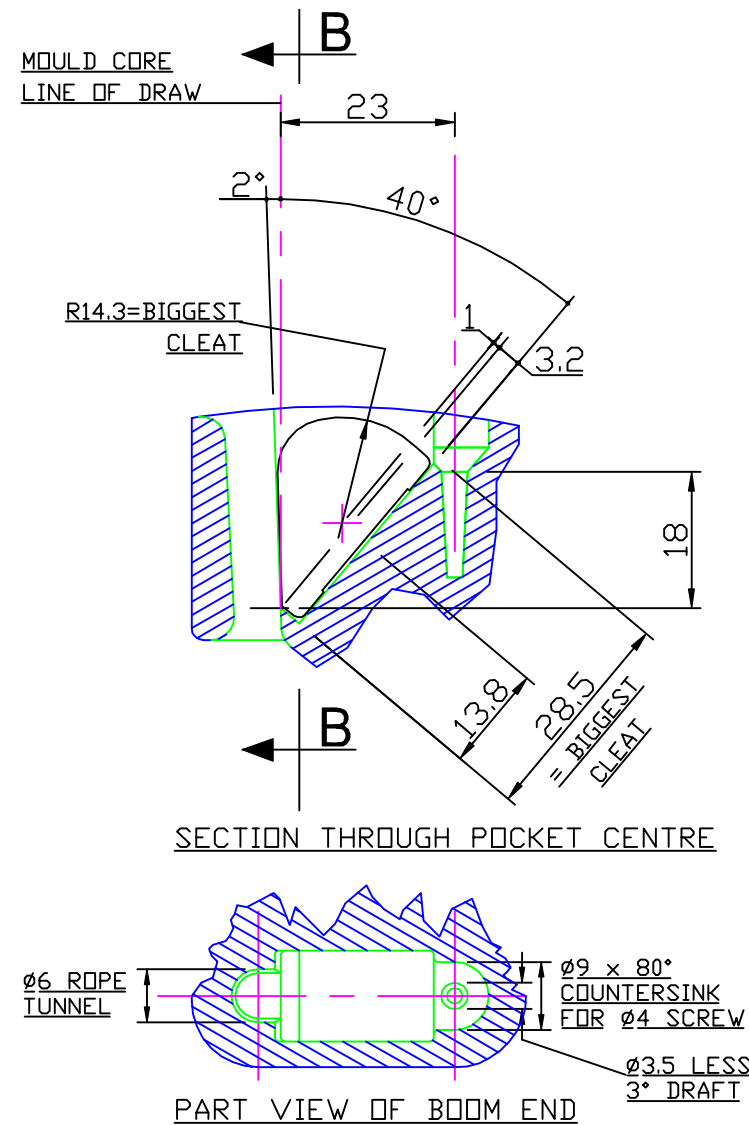
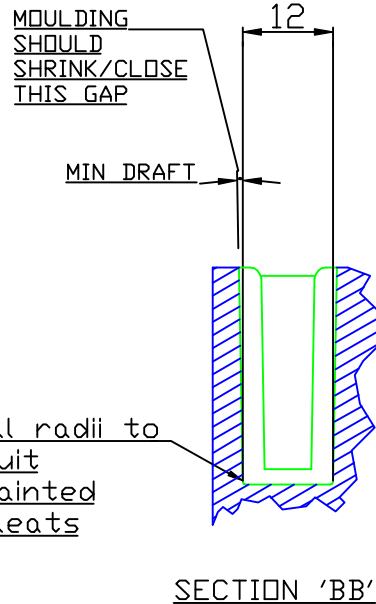
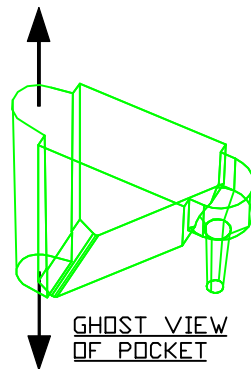


Ø3 – 5mm
1/8" – 1/4"

The CL712 is designed to fit into a small pocket in a plastics moulding and can be held in place by a 4mm self tapping screw or a peg. Cleats can also be held in place by a shrink fit or insert moulding.



Rope tensioning and release both work best with a straight pull in direction of tunnel.



Clamcleats Limited
Watchmead
Welwyn Garden City
Hertfordshire AL7 1AP
England

Telephone +44 (0)1707 330101
Fax +44 (0)1707 321269
<http://www.clamcleat-rope-cleats.com>



Scale 1:1
All dimensions in mm.

Issue: 1. Aug 2000
ID712P

Material:
N/A

Installation Drawing for: -

CL712 Pocket