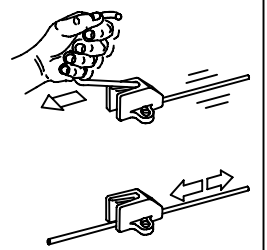
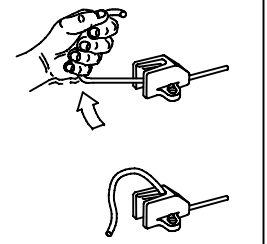
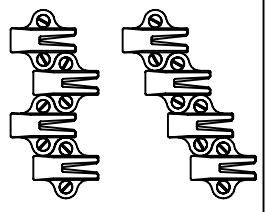
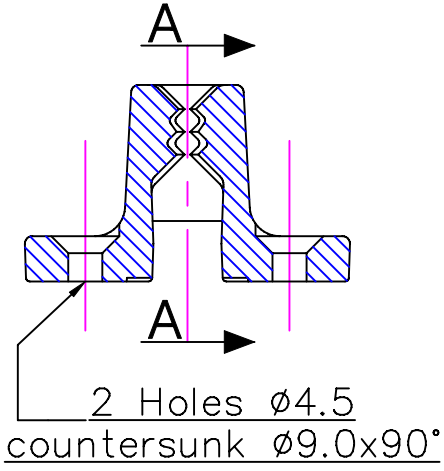


M4 4/4.2mm  $\phi$ 3-6mm  
 #8 (5/32") No.8 1/8" - 1/4"

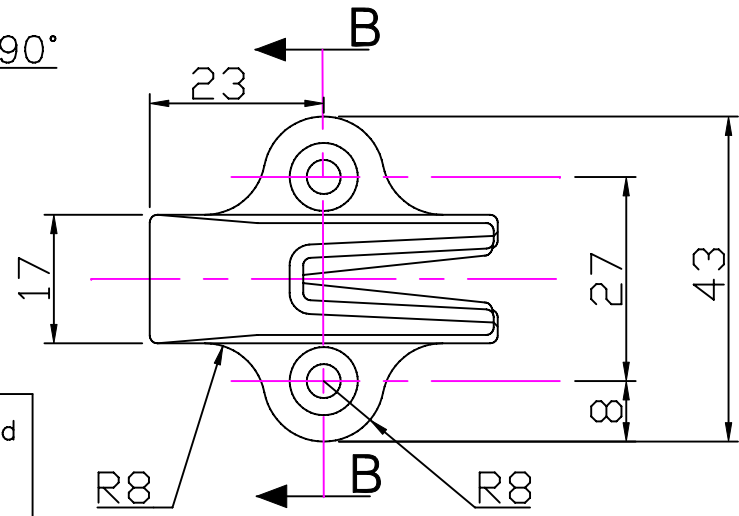
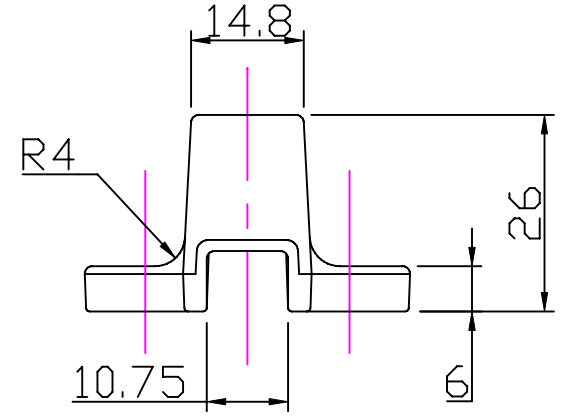
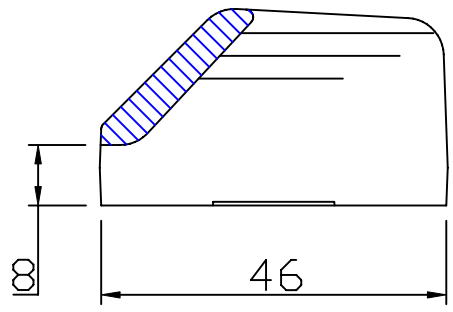
Notes: -  
 For marine applications, use a silicone sealant or a bedding compound to avoid electrolytic action between the cleat and metal fastenings.



Section 'BB'



Section 'AA'



**Clamcleat®**  
 Rope cleats

Clamcleats Limited  
 Watchmead  
 Welwyn Garden City  
 Hertfordshire AL7 1AP  
 England

Telephone +44 (0)1707 330101  
 Fax +44 (0)1707 321269  
<http://www.clamcleat-rope-cleats.com>

Scale 1:1  
 All dimensions in mm.

Issue: 2. May 2006  
 ID255.dwg

Material:  
 Diecast Aluminium

Installation Drawing for:-  
**CL255**  
 Omega