

M6  
1/4"

6.3mm  
NO.14

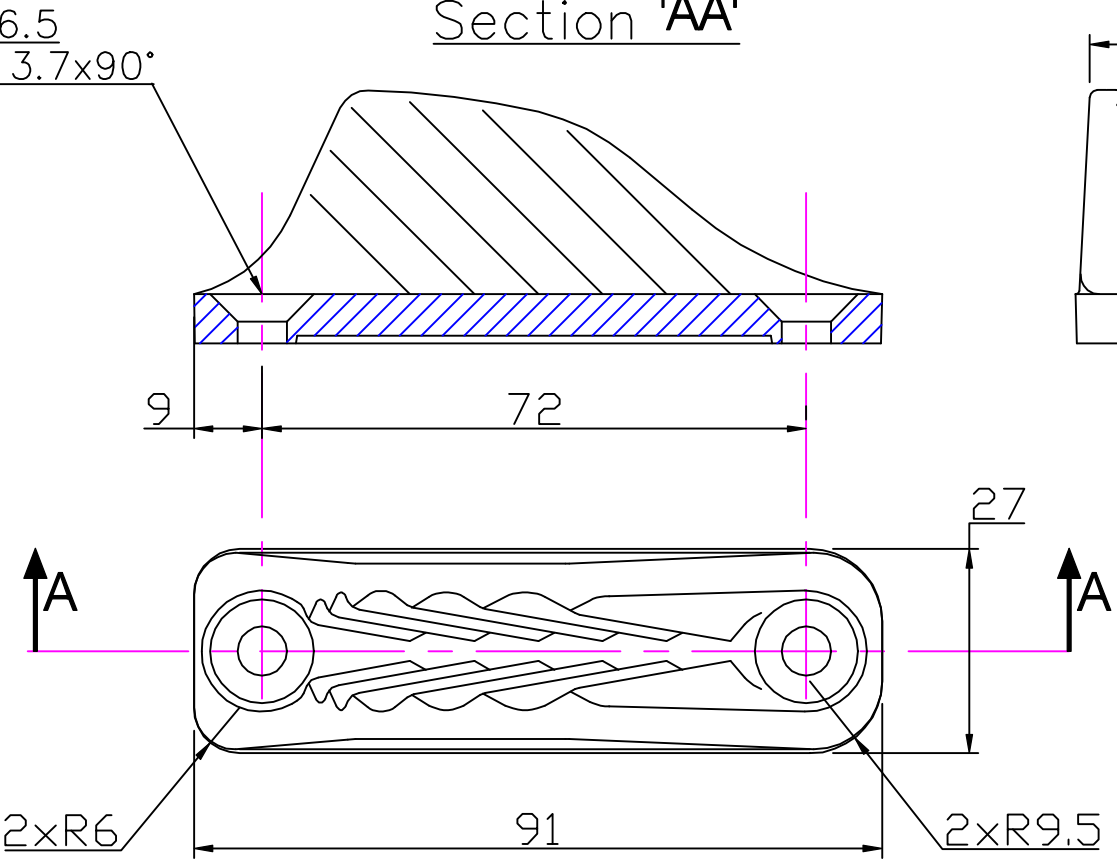
Ø6-12mm  
1/4" - 1/2"

70 gms  
2.5 oz.

Notes: -  
For marine applications, use a silicone sealant or a bedding compound to avoid electrolytic action between the cleat and metal fastenings.

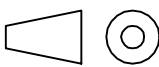
### Section 'AA'

2 Holes Ø6.5  
countersunk Ø13.7x90°



Clamcleats Limited  
Watchmead  
Welwyn Garden City  
Hertfordshire AL7 1AP  
England

Telephone +44 (0)1707 330101  
Fax +44 (0)1707 321269  
<http://www.clamcleat-rope-cleats.com>



Scale 1:1  
All dimensions in mm.

Issue: 1. Apr 1999  
ID219.dwg

Material:  
Diecast Aluminium

Installation Drawing for:-

# CL219

Racing Vertical