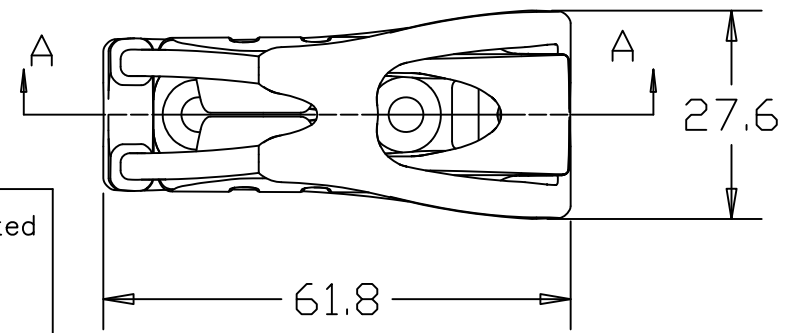
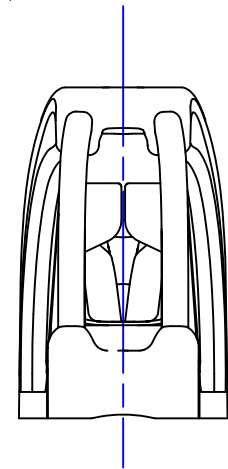
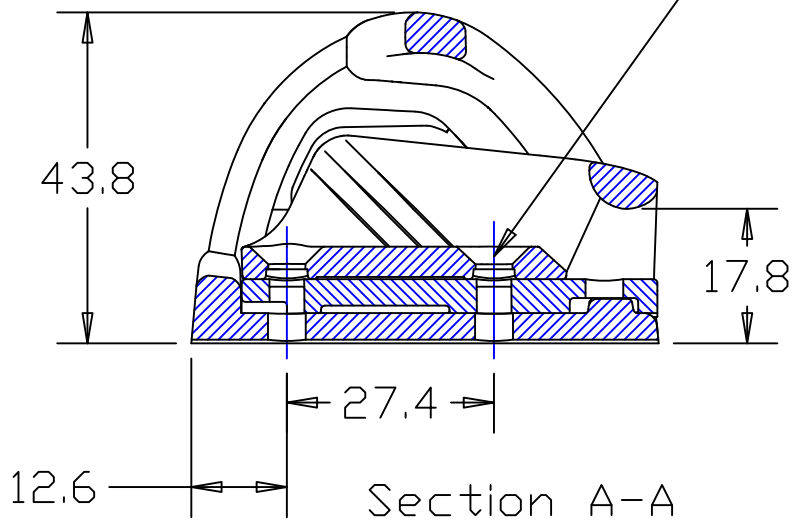
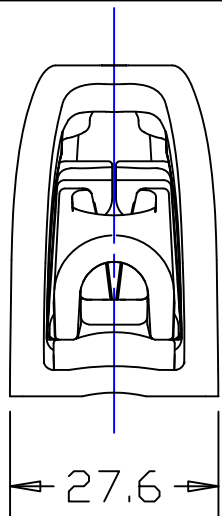


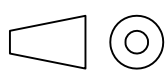
M4 4.2mm Ø3-6mm  
 #8 (5/32") No.8 1/8"-1/4"

2 off CSK holes for M4 Screws



Clamcleats Limited  
 Watchmead  
 Welwyn Garden City  
 Hertfordshire AL7 1AP  
 England

Telephone +44 (0)1707 330101  
 Fax +44 (0)1707 321269  
<http://www.clamcleat-rope-cleats.com>



Scale 1:1  
 All dimensions in mm.

Issue: 1 Oct 2011  
 ID832CKC.dwg

Material:  
 Stainless Steel, Nylon, Aly

Installation Drawing for:-

**CL832CKC**

Cleat, Keeper & Cage