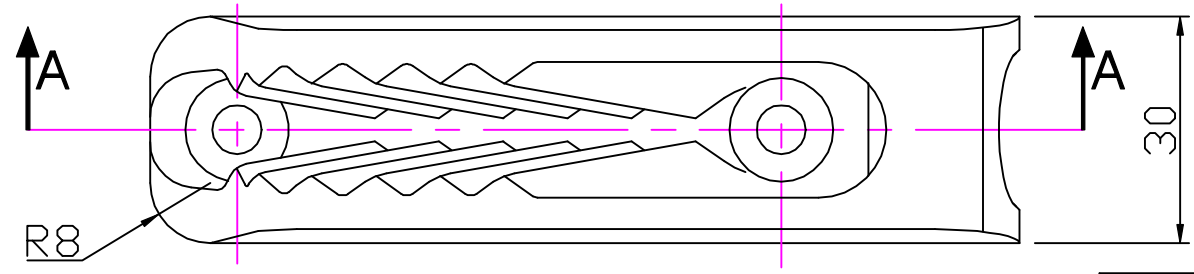
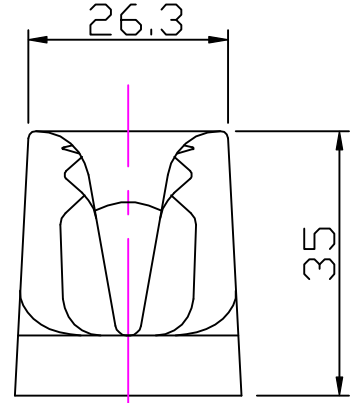
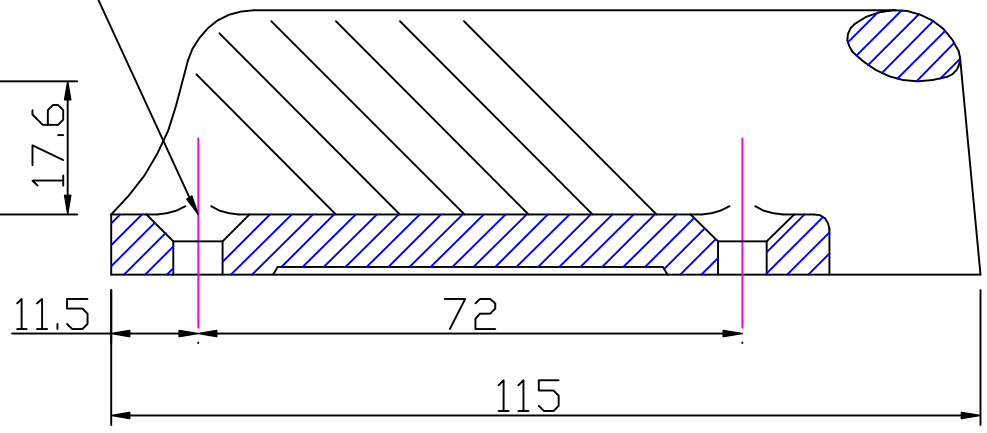
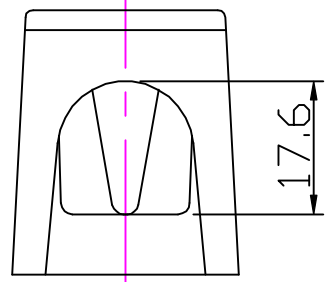


Section 'AA'

2 Holes $\phi 6.5$
countersunk $\phi 13.7 \times 90^\circ$



Clamcleat®
Rope cleats

Clamcleats Limited
Watchmead
Welwyn Garden City
Hertfordshire AL7 1AP
England

Telephone +44 (0)1707 330101
Fax +44 (0)1707 321269
<http://www.clamcleat-rope-cleats.com>

Scale 1:1
All dimensions in mm.

Issue: 1.	June 1999
	ID228.dwg
Material:	Nylon
Installation Drawing for:-	CL228
	Vertical with Integral Fairlead