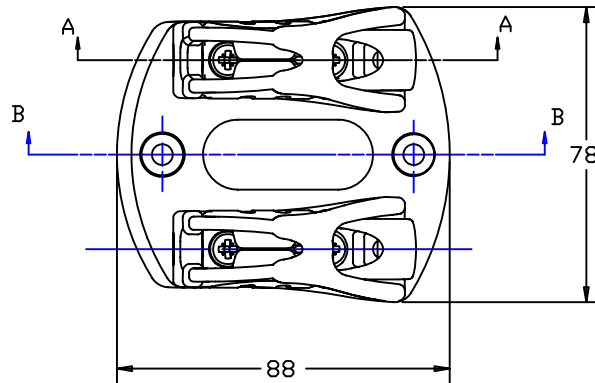
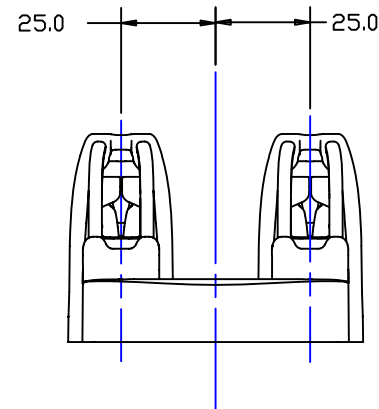
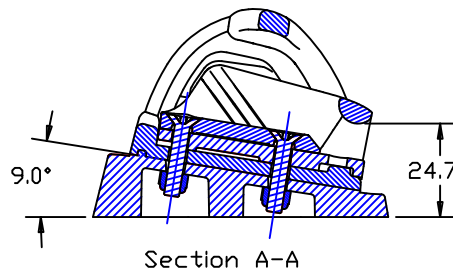
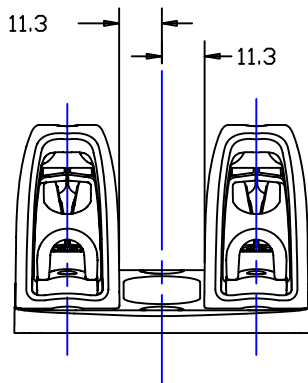


Same hole centres as CL211 Mk1  
Section B-B



Instructions and compatible cleats on page 2

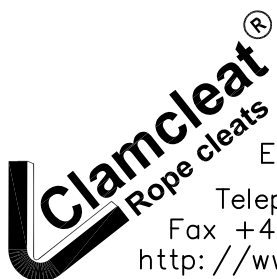
Issue: 2. Oct 2011  
Page 1 ID825CKC.dwg

Material:  
Stainless Steel & Nylon

Installation Drawing for:-

**CL825CKC**

XD Twin Training Cleat



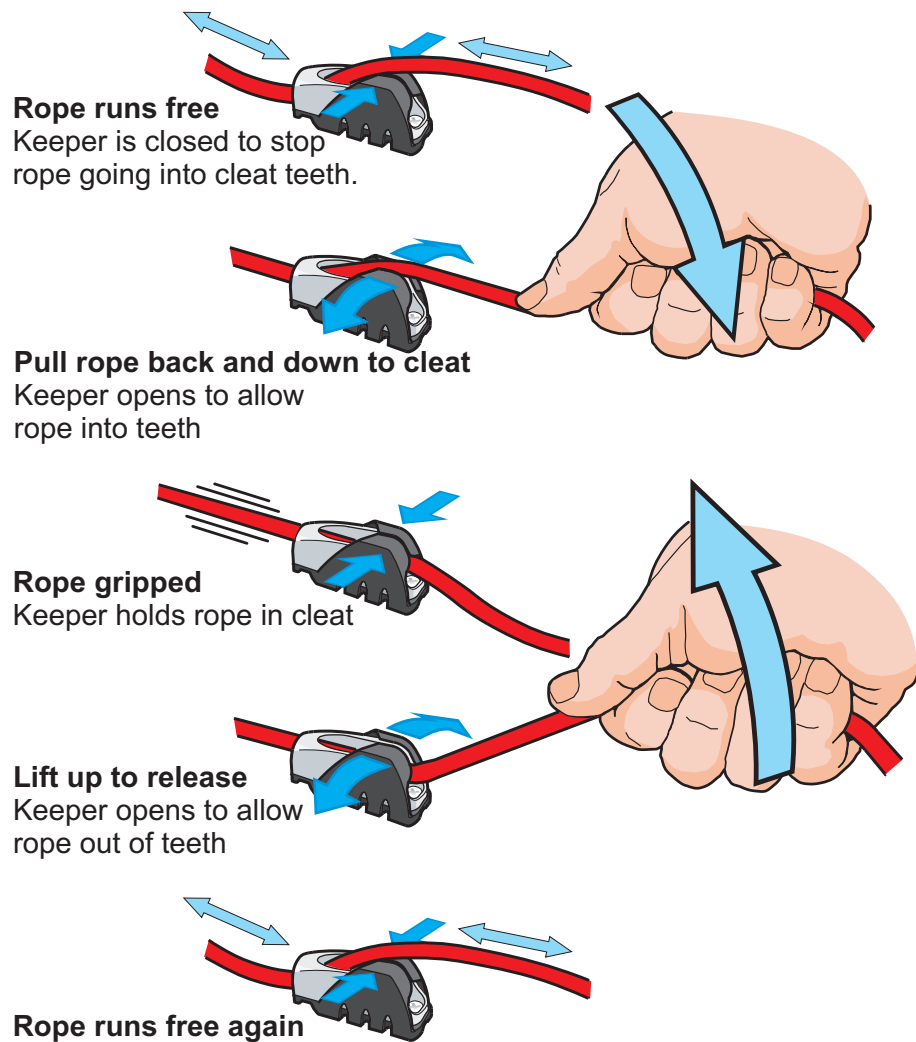
Clamcleats Limited  
Watchmead  
Welwyn Garden City  
Hertfordshire AL7 1AP  
England

Telephone +44 (0)1707 330101  
Fax +44 (0)1707 321269  
<http://www.clamcleat-rope-cleats.com>

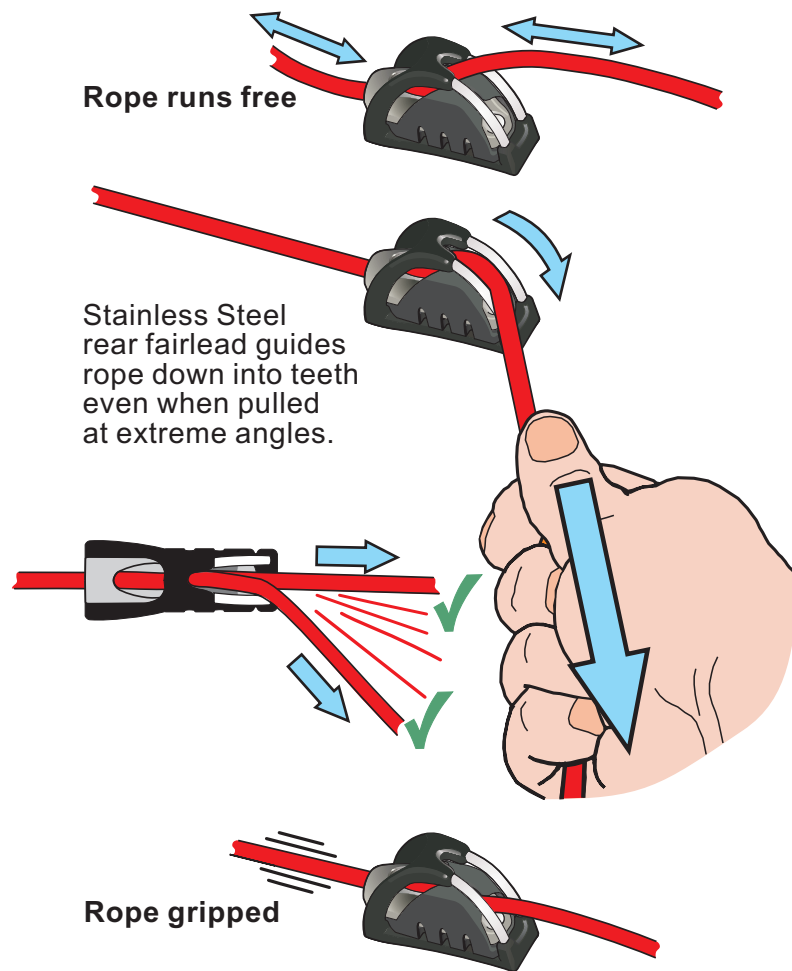


Scale 1:2  
All dimensions in mm.

Keeper works like this -



Cage & rear fairlead works like this -



Clamcleats Limited  
Watchmead  
Welwyn Garden City  
Hertfordshire AL7 1AP  
England

Telephone +44 (0)1707 330101  
email sales@clamcleat.com  
www.clamcleat.com

ID825CKC  
page 2 of 2

Issue 1  
October 2011

Installation Drawing for:-

**CL825CKC**

XD twin training cleat