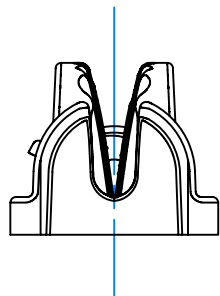


M6
7/32"

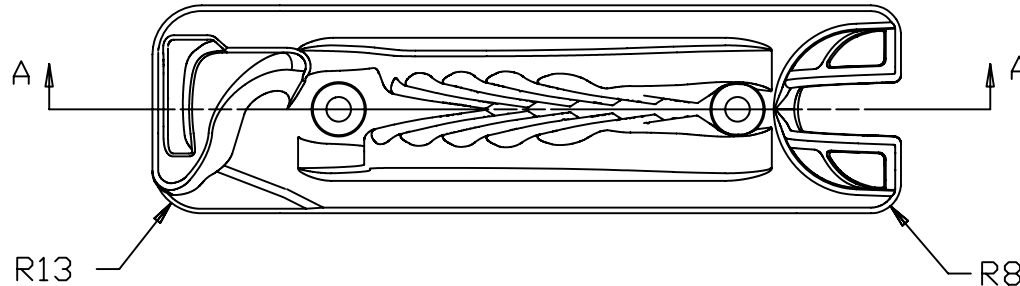
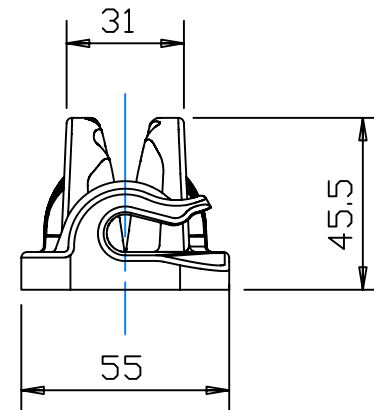
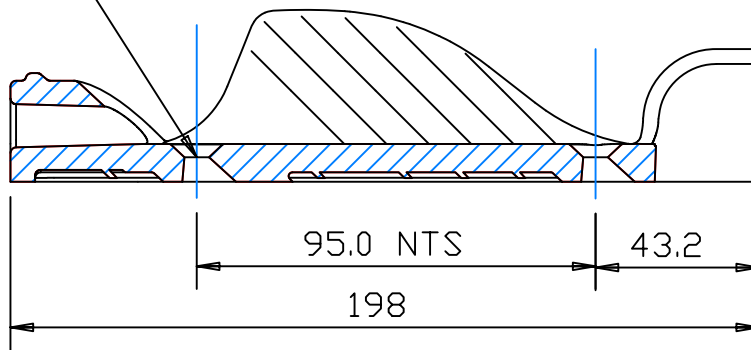
N/A

Ø10-13mm
5/16" - 1/2"



2 Holes 6.5dia
CSK 14dia x 90deg

Section A-A



R13

R8



Clamcleats Limited
Watchmead
Welwyn Garden City
Hertfordshire AL7 1AP
England

Telephone +44 (0)1707 330101
Fax +44 (0)1707 321269
www.clamcleat-rope-cleats.com



Scale- Half Size
All dimensions in mm.

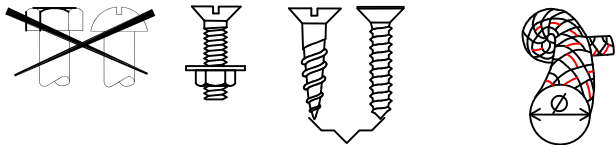
Issue: 1 Dec 2014
ID279-1.dwg

Material:
Nylon

Installation Drawing for:-

CL279

For underground recycling bags

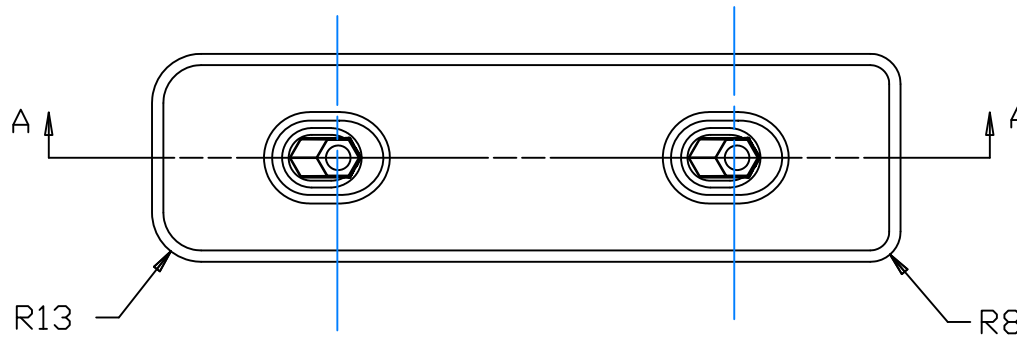
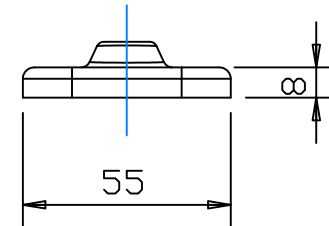
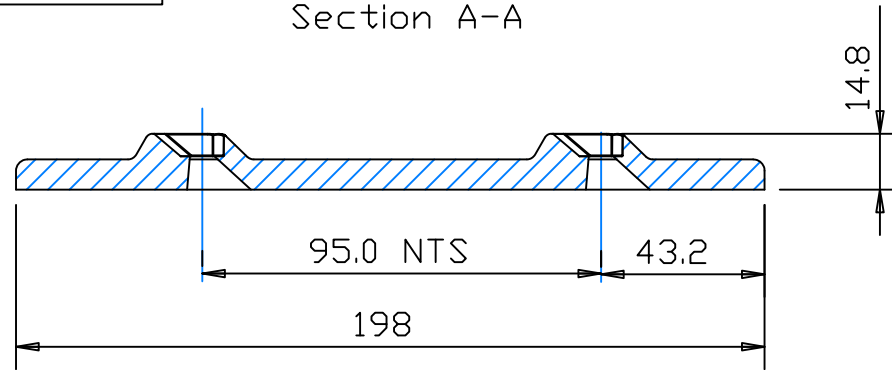


M6
7/32"

N/A

Ø10-13mm
5/16" - 1/2"

Section A-A



Issue: 1 Dec 2014
ID279-2.dwg

Material:
Nylon

Installation Drawing for:-

CL279 Backplate

For underground recycling bags

Clamcleat®
Rope cleats

Clamcleats Limited
Watchmead
Welwyn Garden City
Hertfordshire AL7 1AP
England

Telephone +44 (0)1707 330101
Fax +44 (0)1707 321269
www.clamcleat-rope-cleats.com



Scale - Half size
All dimensions in mm.