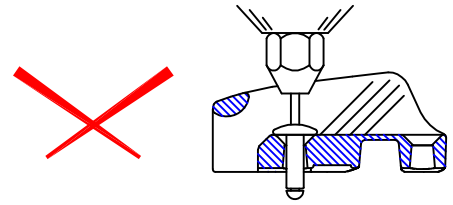
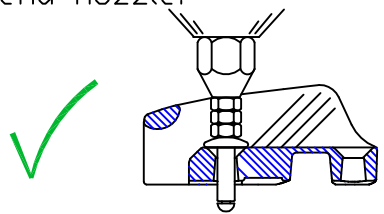


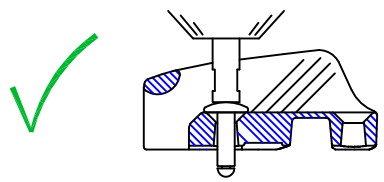
Standard rivet gun nozzles do not fit inside cleat.



Use 2 or 3 nuts to extend nozzle.

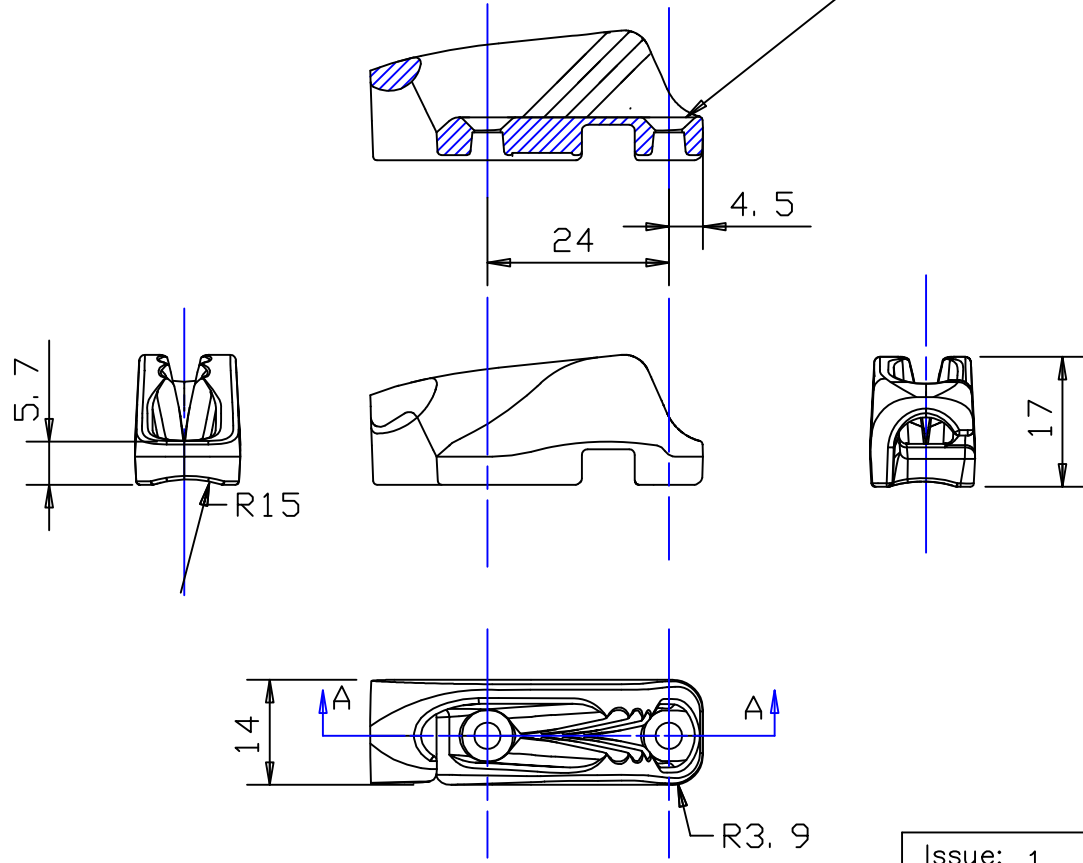


Extended nozzle is best Consult rivet gun supplier.



2 Holes 3.5dia
Countersunk 7.5dia x 90deg

Section A-A



Clamcleat®
Rope cleats

Clamcleats Limited
Watchmead
Welwyn Garden City
Hertfordshire AL7 1AP
England
Telephone +44 (0)1707 330101
Fax +44 (0)1707 321269
Email sales@clamcleat.com
www.clamcleat.com

Scale 1:1
All dimensions in mm.

Issue: 1	Jan 2009
ID278.dwg	
Material: Diecast Aluminium	
Installation Drawing for:-	
CL278	
Racing Micros	