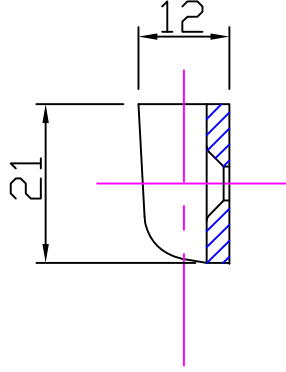
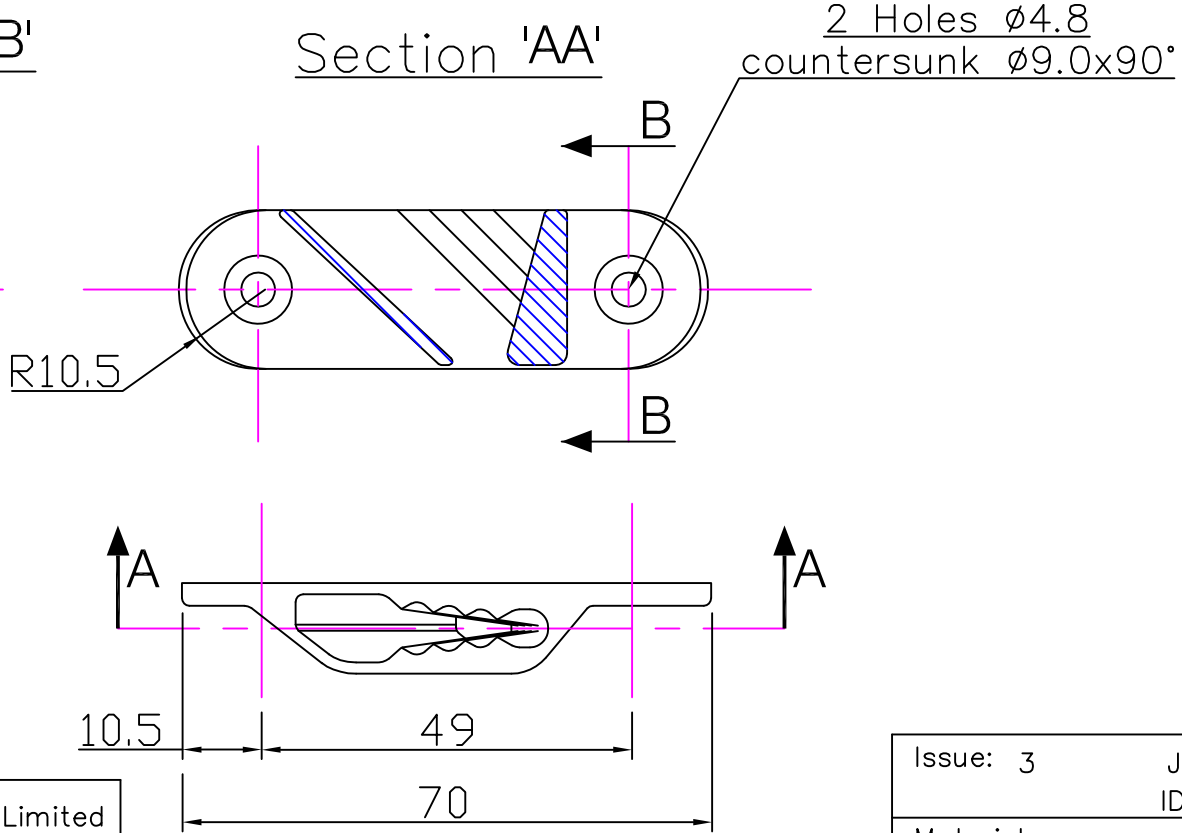


Notes: -
For marine applications, use a silicone sealant or a bedding compound to avoid electrolytic action between the cleat and metal fastenings.

Section 'BB'



Section 'AA'



Clamcleat®
Rope cleats

Clamcleats Limited
Watchmead
Welwyn Garden City
Hertfordshire AL7 1AP
England
Telephone +44 (0)1707 330101
Fax +44 (0)1707 321269
Email sales@clamcleat.com
www.clamcleat.com

Scale 1:1
All dimensions in mm.

Issue: 3	Jan 2009
ID273.dwg	
Material: Diecast Aluminium	
Installation Drawing for: -	
CL273	
Racing Sail Line Cleat	