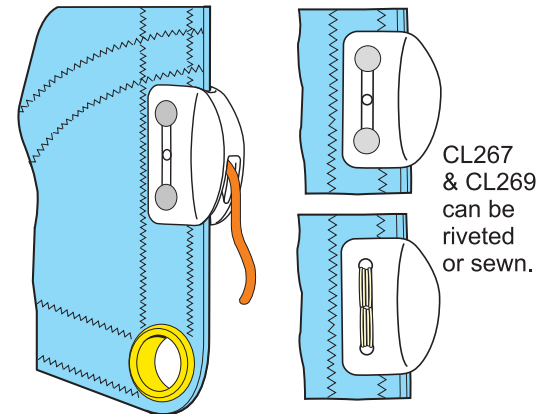
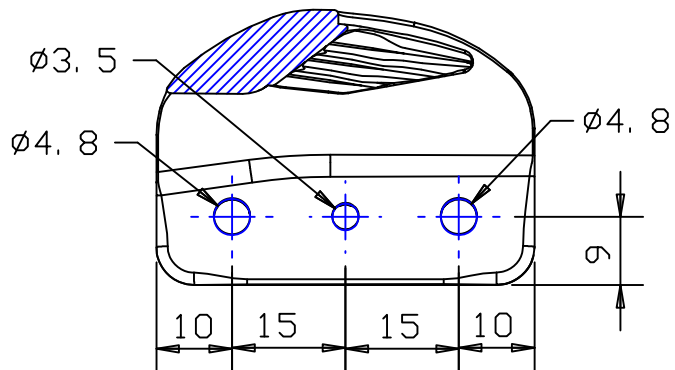


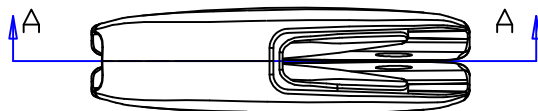
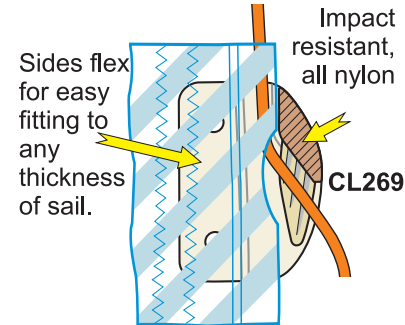
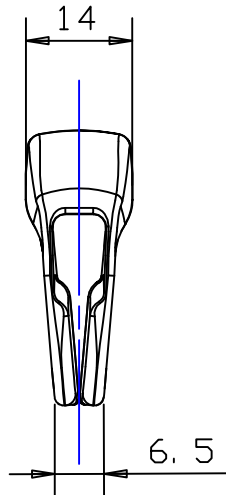
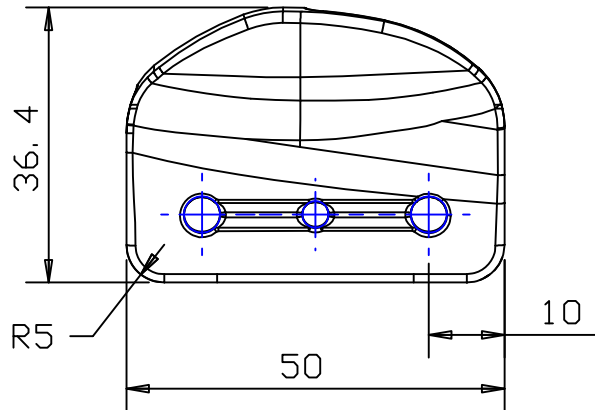
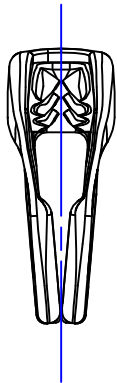


Ø1 – 4mm
3/64" – 5/32"

Section A-A



CL267
& CL269
can be
riveted
or sewn.



Clamcleat®
Rope cleats

Clamcleats Limited
Watchmead
Welwyn Garden City
Hertfordshire AL7 1AP
England
Telephone +44 (0)1707 330101
Fax +44 (0)1707 321269
Email sales@clamcleat.com
www.clamcleat.com



Scale 1:1
All dimensions in mm.

Issue: 1 Jan 2009
ID269.dwg

Material:
Nylon

Installation Drawing for: -

CL269

Racing Sail Edge