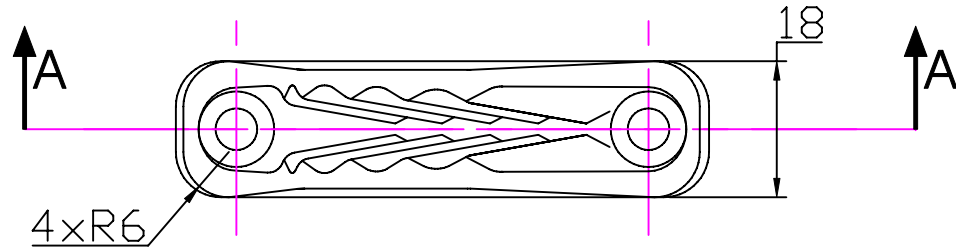
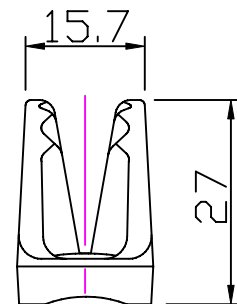
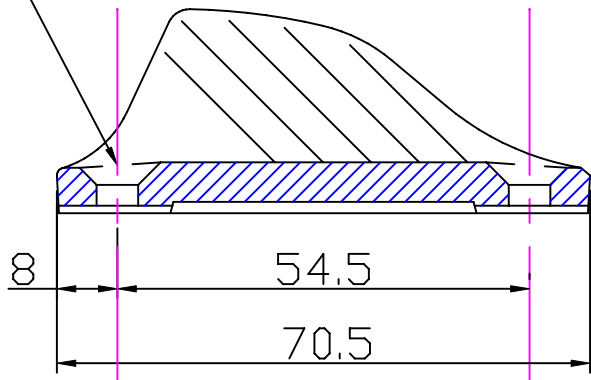
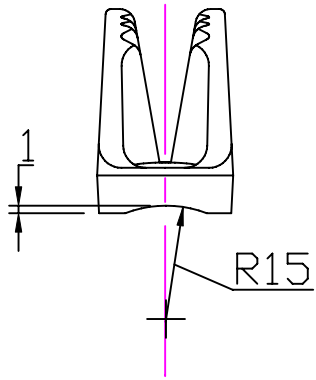


M5 4.8/5mm  $\phi$ 4-8mm  
 #10 (3/16") No.10 3/16"-5/16"

Notes: -  
 For marine applications, use a silicone sealant or a bedding compound to avoid electrolytic action between the cleat and metal fastenings.

2 Holes  $\phi$ 5.5  
 countersunk  $\phi$ 10.0x90°

Section 'AA'



**Clamcleat®**  
 Rope cleats

Clamcleats Limited  
 Watchmead  
 Welwyn Garden City  
 Hertfordshire AL7 1AP  
 England

Telephone +44 (0)1707 330101  
 Fax +44 (0)1707 321269  
<http://www.clamcleat-rope-cleats.com>

Scale 1:1  
 All dimensions in mm.

Issue: 2.	May 2006
ID254.dwg	
Material: Diecast Aluminium	
Installation Drawing for:- <b>CL254</b> Racing Midi	