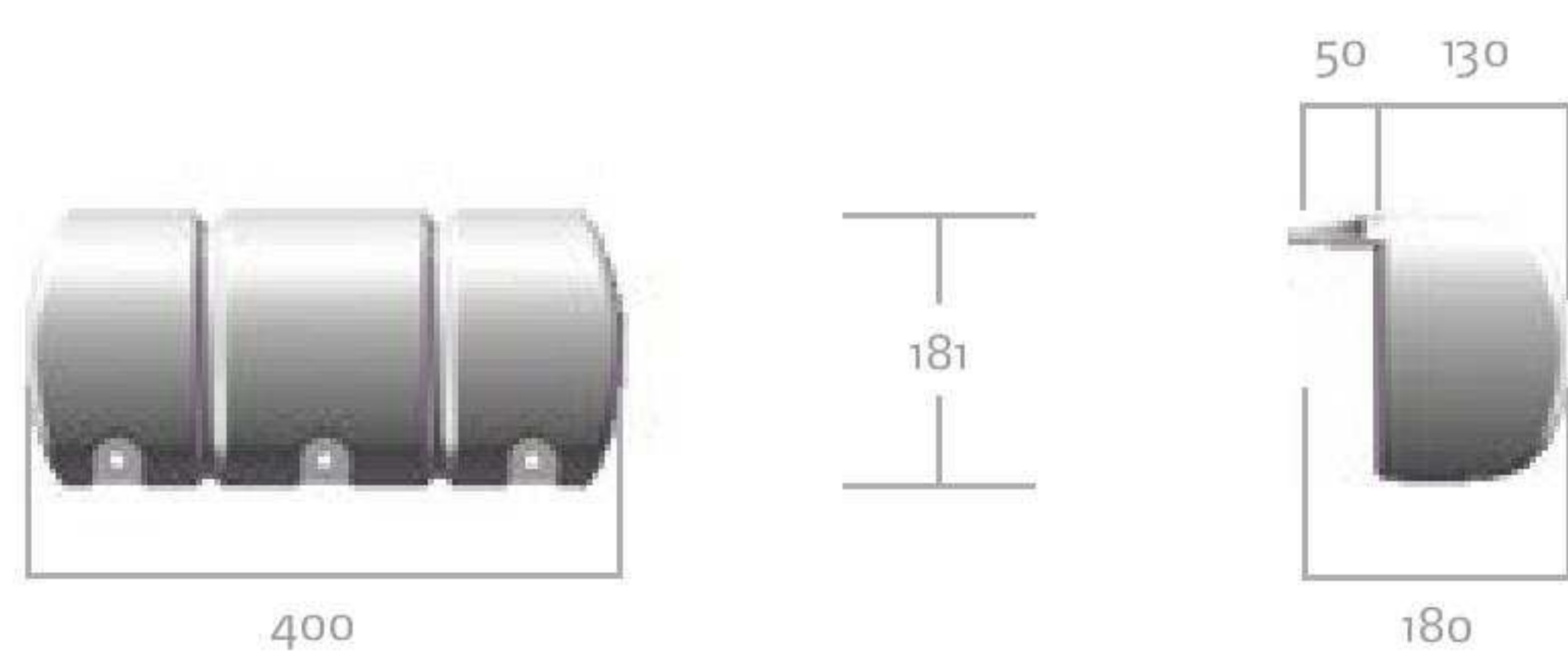


Short Multi Dock-Fender (Heavy duty)

The SHORT multi Dock Fender is based on the same innovative design as the "big brother" the Multi Dock Fender - just shorter. The SHORT multi Dock Fender can almost be mounted anywhere on the quay, pontoon, pontoon fingers etc. See more pictures and details at www.danfender.com



Colours:
White or Navy blue

