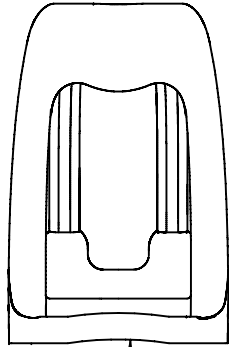
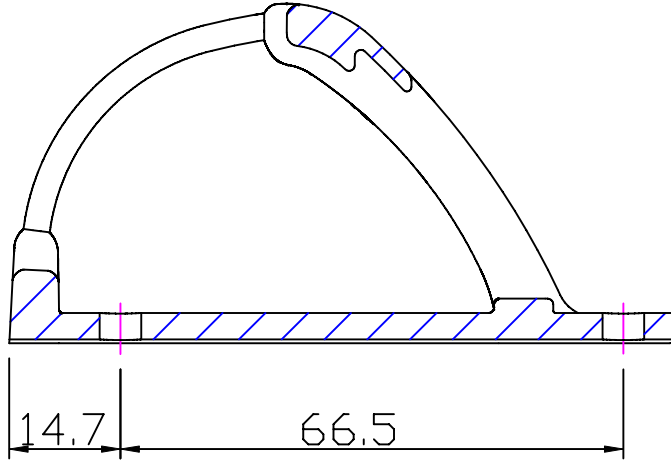


M5 4.8/5mm ϕ 3-6mm
 #10 (3/16") No.10 1/8"-1/4"

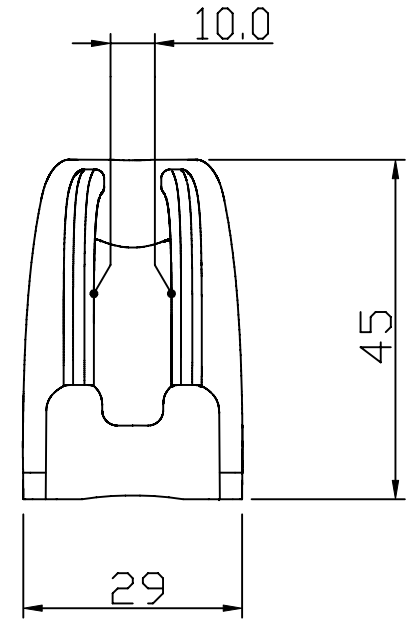
Section 'AA'



R45



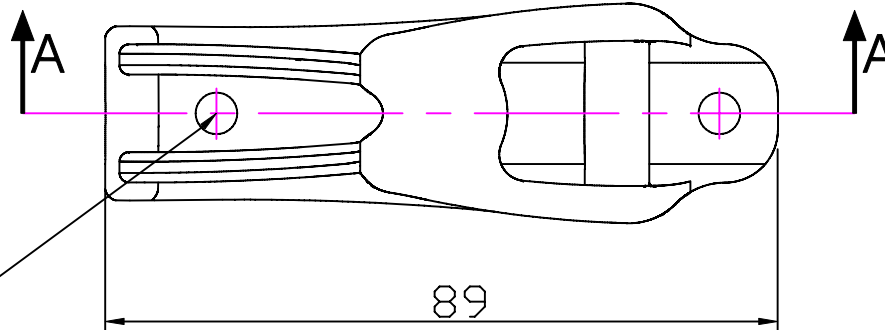
14.7 66.5



10.0

45

29



2 Holes ϕ 5.5

89

Instructions and compatible cleats on page 2

Note:
 CL816 Cage must be used with CL814 Keeper

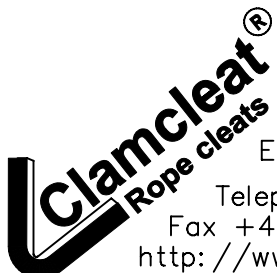
Issue: 2 May 2006
 Page1 of 2 ID816.dwg

Material:
 Stainless Steel & Nylon

Installation Drawing for:-

CL816

Cage for CL203 & Mk1 Juniors



Clamcleats Limited
 Watchmead
 Welwyn Garden City
 Hertfordshire AL7 1AP
 England

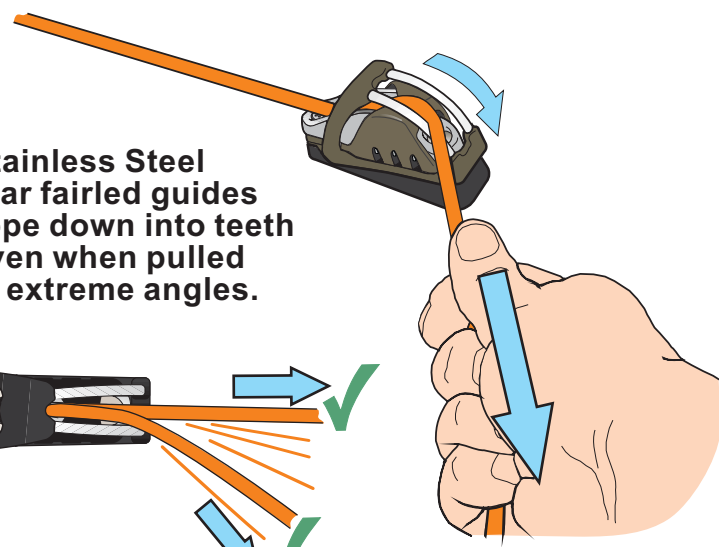
Telephone +44 (0)1707 330101
 Fax +44 (0)1707 321269
<http://www.clamcleat-rope-cleats.com>



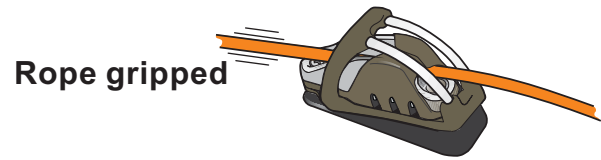
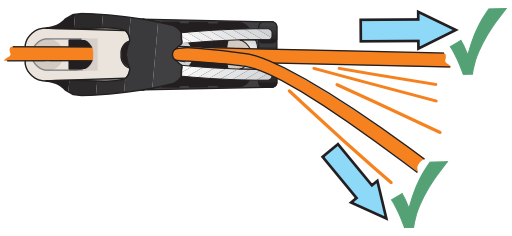
Scale 1:1
 All dimensions in mm.



Rope runs free



Stainless Steel rear fairled guides rope down into teeth even when pulled at extreme angles.



Rope gripped

CL816 Cage can be used with a variety of cleats and other accessories.



Cleat	Cleat + CL814 + CL816	Cleat + CL814 + CL816 + CL818
CL203	✓	✓
CL203W/S1	✓	✓
CL211 Mk1	✓	✓
CL211 Mk1AN	✓	✓
CL236	✓	✓
CL236AN	✓	✓

 **Must use CL814 Keeper with CL816 Cage**



Clamcleats Limited
 Watchmead
 Welwyn Garden City
 Hertfordshire AL7 1AP
 England

Telephone +44 (0)1707 330101
 Fax +44 (0)1707 321269
 www.clamcleat.com

ID816 Issue 2
 page 2 of 2 July 2006

Installation Drawing for:-
CL816
 Cage for CL203
 & Mk1 Racing Juniors