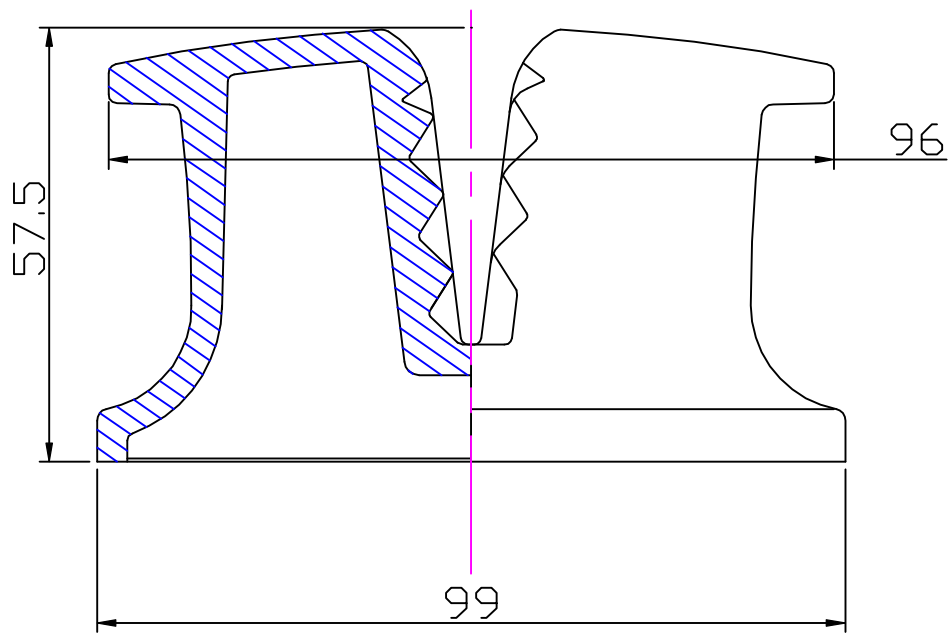
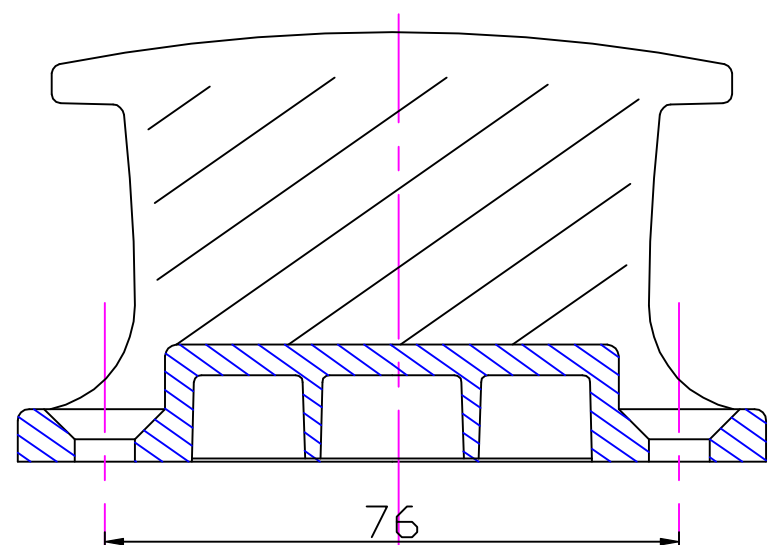


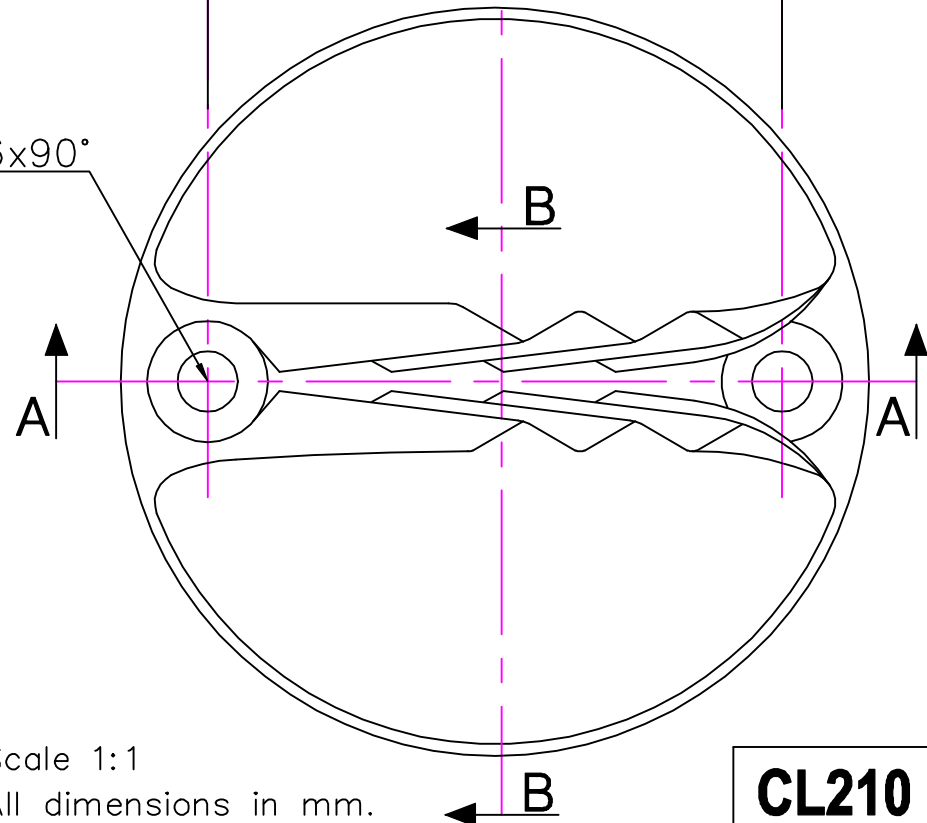
Half Section 'BB'



Section 'AA'



2 Holes $\varnothing 8$
countersunk $\varnothing 16 \times 90^\circ$



Issue: 1. Dec 2000
ID210.dwg

Material:
Nylon

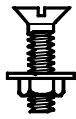
Installation Drawing for: -

CL210

Clam Bollard Major



$\varnothing 10-16\text{mm}$
 $3/8" - 5/8"$



M8
 $5/16"$



Clamcleats Limited
Watchmead
Welwyn Garden City
Hertfordshire AL7 1AP
England

Telephone +44 (0)1707 330101
Fax +44 (0)1707 321269
<http://www.clamcleat-rope-cleats.com>



Scale 1:1
All dimensions in mm.

CL210