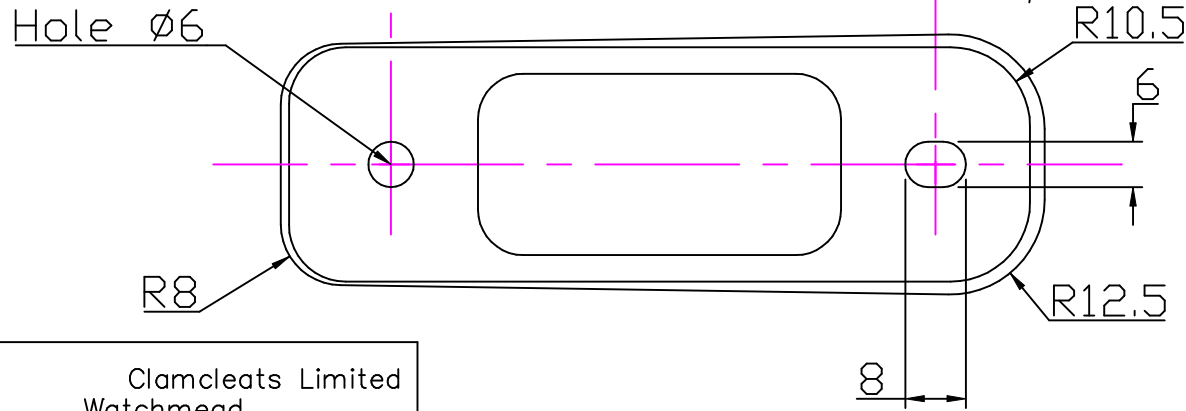
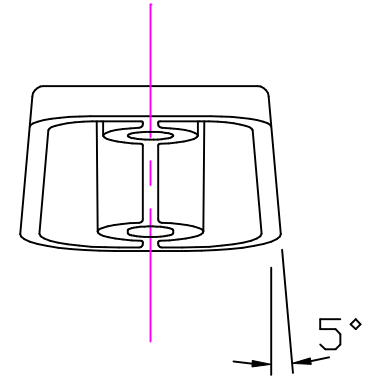
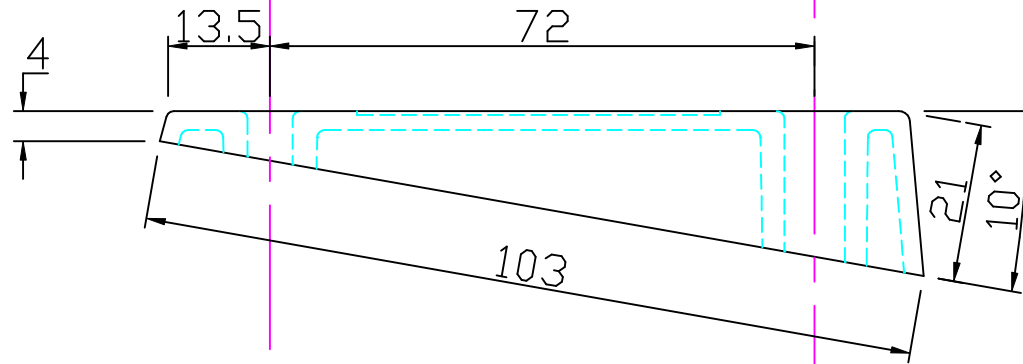
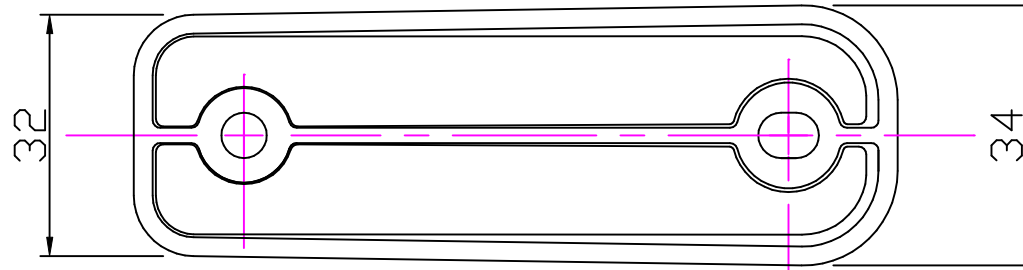


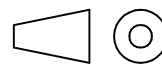
Application



**Clamcleat®**  
Rope cleats

Clamcleats Limited  
Watchmead  
Welwyn Garden City  
Hertfordshire AL7 1AP  
England

Telephone +44 (0)1707 330101  
Fax +44 (0)1707 321269  
<http://www.clamcleat-rope-cleats.com>



Scale 1:1  
All dimensions in mm.

Issue: 2. May 2002  
ID804.dwg

Material:  
Polypropylene

Installation Drawing for:-  
**CL804**  
Tapered Pad for CL201,  
CL219, CL237 & CL238