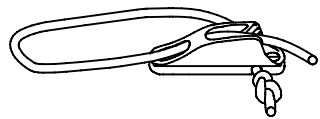
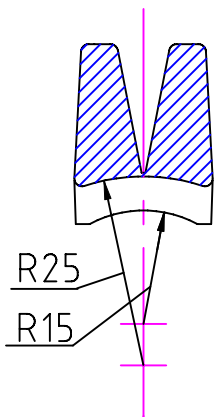


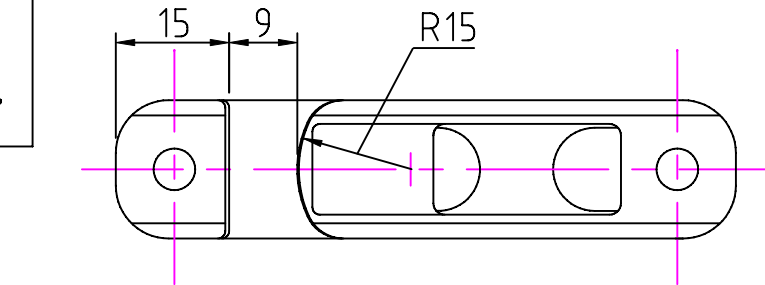
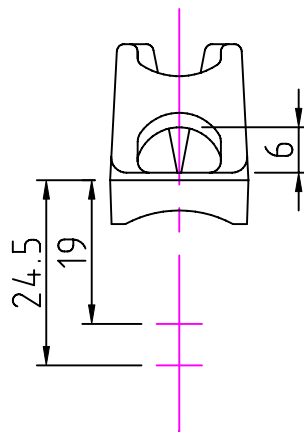
M5 4.8/5mm ϕ 3-6mm
 #10 (3/16") No.10 1/8" - 1/4"



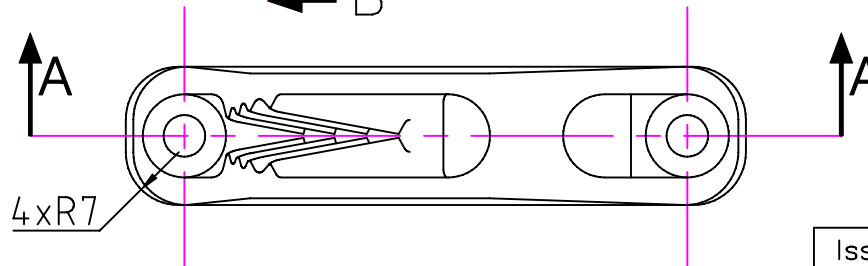
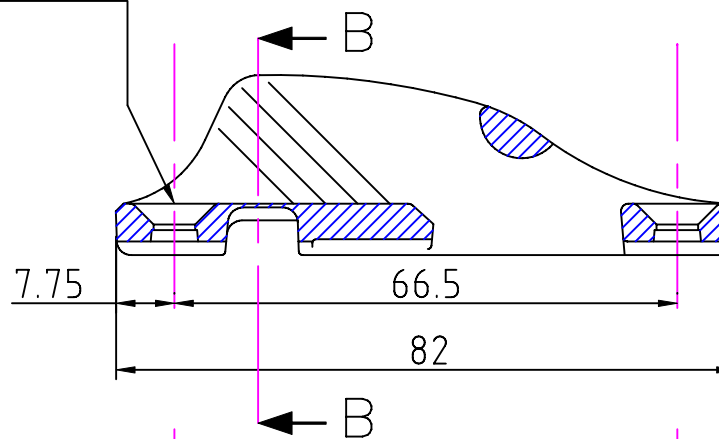
2 Holes ϕ 5.5
 countersunk ϕ 10.0x90°



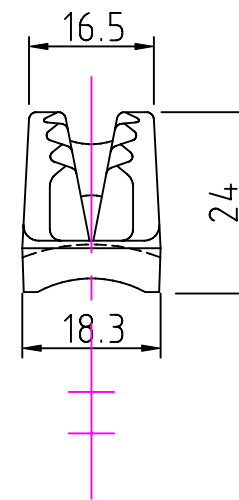
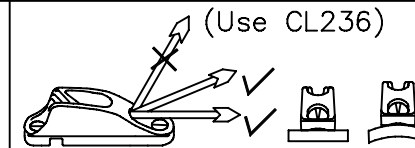
Section 'BB'



Section 'AA'



Notes: -
 For marine applications, use a silicone sealant or a bedding compound to avoid electrolytic action between the cleat and metal fastenings.



Issue: 4. May 2006
 ID704.dwg

Material:
 Diecast Aluminium

Installation Drawing for:-

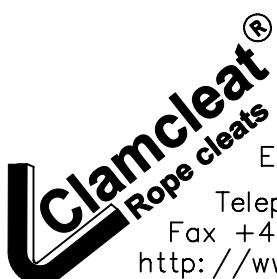
CL704

Racing Junior Mk 1
 with Becket



Scale 1:1

All dimensions in mm.



Clamcleats Limited
 Watchmead
 Welwyn Garden City
 Hertfordshire AL7 1AP
 England

Telephone +44 (0)1707 330101
 Fax +44 (0)1707 321269
<http://www.clamcleat-rope-cleats.com>